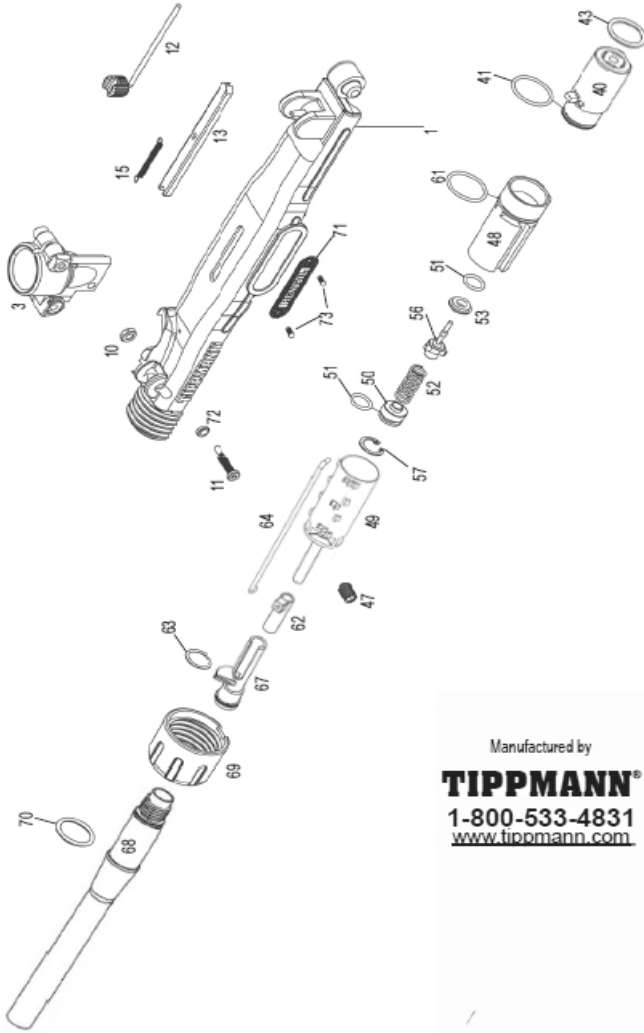
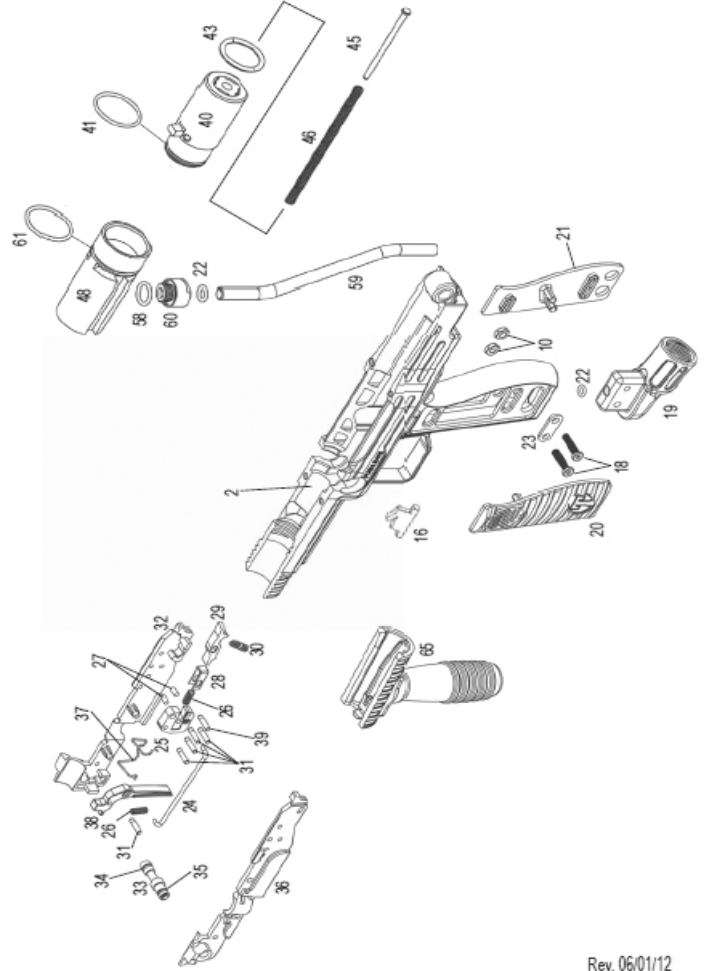


FT-50 Parts Diagram



Manufactured by
TIPPMANN®
 1-800-533-4831
www.tippmann.com

⚠ WARNING
 Do not disassemble this marker while it is pressurized with air/CO2.
 Do not pressurize a partially assembled marker.



Rev. 06/01/12

Parts List for FT-50 Marker

Item No.	Part No.	QTY	Description	Item No.	Part No.	QTY	Description
1	TA45001	1	Top Receiver	33	TA45104	1	Safety Assembly (below)
2	TA45002	1	Bottom Receiver	Safety Assembly TA45104			
3	TA45109	1	.50 Caliber Feed Tube Assembly - Con	34	FA-07	1	Safety O-Ring, Black
	TA45063	1	.50 Caliber Feed Tube	35	98-55	1	Safety O-Ring, Red
	98-45	1	Washer, M6, Flat Black	40	TA45107	1	Rear Bolt Assembly
	PL-42C	1	Screw, ¼-20x1" SHCS	41	98-12A	1	O-Ring, Valve/Rear Bolt
	TA45004	1	Feed Tube Lock	43	98-40	1	O-Ring
	TA45005	1	Feed Tube C-clip	45	CA-15	1	Guide Pin
	TA45041	1	Feed Tube Spring	46	CA-14	1	Spring
	TA45040	1	Ball, Steel	48	TA45065	1	.50 Cal Valve Body (See Valve Assembly Complete below)
	PL-42D	1	Nut, ¼-20, Square, Black	56	TA45112	1	.50 Cal Valve Stem Assembly Complete
10	9-PA	3	Hex Nut, 10-32, Black	58	TA45031	1	O-Ring, Gas Line Nut
11	TA45044	1	Screw, 10-32	59	TA45032	1	Gas Line
12	TA45103	1	Cocking Knob Assembly	60	TA45033	1	Gas Line Nut (Gas Line Nut with O-Ring = TA45115)
13	TA45007	1	Cover Plate	61	TA45034	1	O-Ring, Valve Body (outside)
15	TA45009	1	Tensile Spring	62	TA45073	1	.50 Cal Front Bolt
16	TA45074	1	.50 Cal Ball Latch	63	TA45072	1	O-Ring, .50 Cal Sleeve
18	TA45011	2	Air Supply Adapter (ASA) Screws	67	TA45071	1	.50 Cal Sleeve (Sleeve with O-Ring = TA45114)
19	TA45012	1	Air Supply Adapter (ASA)	64	TA01016	1	Linkage Arm
20	TA45013	1	Grip Cover, Yellow, Left	65	TA45105	1	Front Grip Assembly Complete
	TA45051	1	Grip Cover, Black, Left	68	TA45069	1	.50 Cal Barrel (Barrel with O-Ring = TA45113)
	TA45014	1	Grip Cover, Yellow, Right	69	TA45068	1	.50 Cal Barrel Nut
21	TA45052	1	Grip Cover, Black, Right	70	TA45070	1	O-Ring, Barrel, .50 Cal
22	TA40017	2	O-Ring, Gas Line (green)	71	TA45045	1	Name Plate (Rental)
23	TA45015	1	Plastic Washer, Double	72	TA45046	1	Washer, Plastic
Trigger Box Assembly - Complete TA45101				73	TA45047	2	Rivet
24	TA45016	1	Trigger Link	Valve Assembly Complete TA45111			
25	TA40011	1	Trigger Adapter	47	TA45050	1	.50 Cal Set Screw, 5/16-24 x 0.54"
26	98-20	2	Trigger Spring	49	TA45064	1	.50 Cal Power Tube (Power Tube with Set Screw = TA45110)

27	98-19	2	Return Slide Dowel Pin
28	98-18	1	Trigger Return Slide
29	02-35	1	Sear
30	02-20	1	Sear Spring
31	TA45043	5	Trigger Pin
32	TA45017	1	Trigger Box, Right
36	TA45019	1	Trigger Box, Left
37	TA45020	1	Trigger Box Spring
38	TA45021	1	Trigger
39	TA45042	1	Sear Pin

50	TA45026	1	Valve Plug
51	TA45027	2	O-Ring, Valve Body
52	TA45067	1	.50 Cal Spring
53	TA45028	1	Front Valve Seat
57	TA45030	1	C-clip