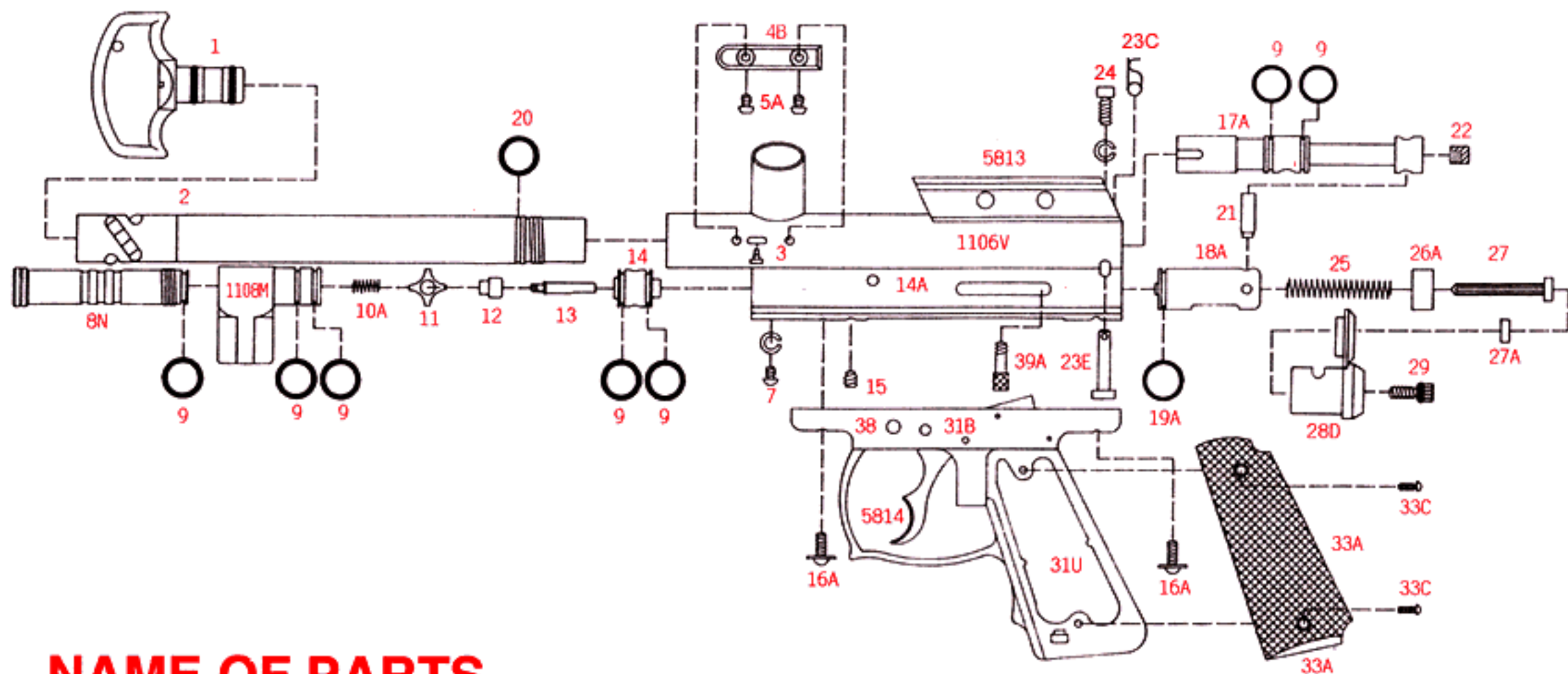


Spyder Compact Deluxe



NAME OF PARTS

- | | | | |
|--------------------------|------------------------|-----------------------|--------------------------------|
| 1. Barrel plug | 12. Cup seal | | |
| 2. Barrel | 13. Valve pin | | |
| 3. Ball stopper | 14. Valve Body | | |
| 4B. Pla Detent Cover | 14A. Receiver Pin | 23C. Disconnect | 28D. Striker Plug W/ Bolt Plug |
| 5A. M4 X 6 Screw | 15. Valve Body Screw | Pin Lock | 29. Adjuster Screw |
| 1106V. Receiver | 16A. Screw M5 X 12 | 23E. Quick Disconnect | 31U. Frame & Double |
| 7. M5 X 12.5 Screw | with washer | T-Pin | Trigger Assembly |
| 8N. Low Pressure Chamber | 17A. Bolt with Venturi | 24. Screw M4 X 8 | 33A. 45 Grip Cover |
| 1108M. Vertical Adapter | 18A. Striker | 25. Striker Spring | 33C. 45 Grip Cover |
| 9. O-ring # 015 80D | 19A. Striker O-ring | 26A. Striker Buffer | Screw |
| 10A. Valve Spring | 20. Barrel O-ring | 27. Striker Spring | 38. Safety Button |
| 11. Cup Seal Guide | 21. Bolt Pin | Guide | 39A. Striker Knob |
| | 22. Bolt Screw | 27A. Flat Disc | 5813. Raised Mini |
| | | | Sight Rail |
| | | | 5814. Double Trigger |