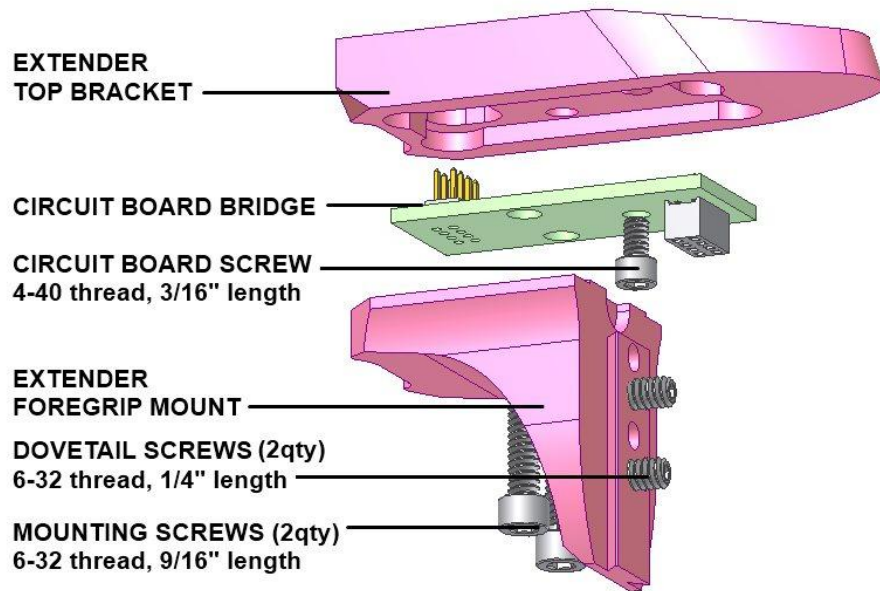


# NUMMECH PRODUCTS

## INVERT MINI FOREGRIP EXTENDER

The Mini foregrip extender is designed to shift the foregrip forward while maintaining the same quick-release system used by the stock parts. Please read these instructions before your installation. An installation video can be found on our website [www.nummech.com](http://www.nummech.com)

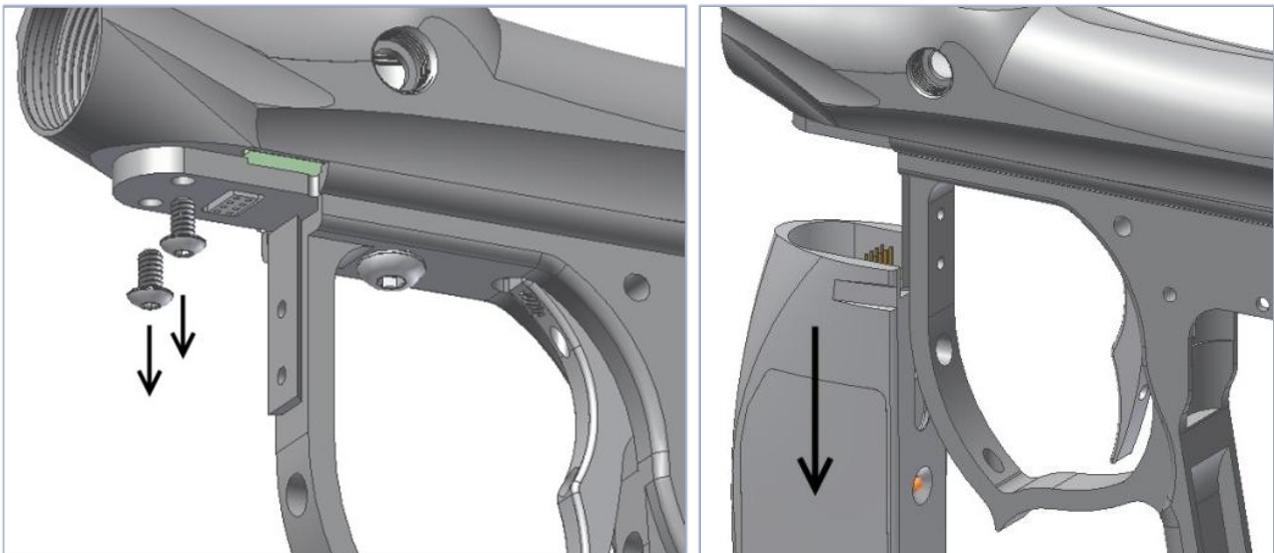
The upgrade package contains one assembled foregrip extender with all the required mounting hardware. The foregrip extender houses an internal "circuit board bridge" which is held in place by a small screw. Replacement dovetail screws are provided; you will not have to re-use any screws from your original marker.



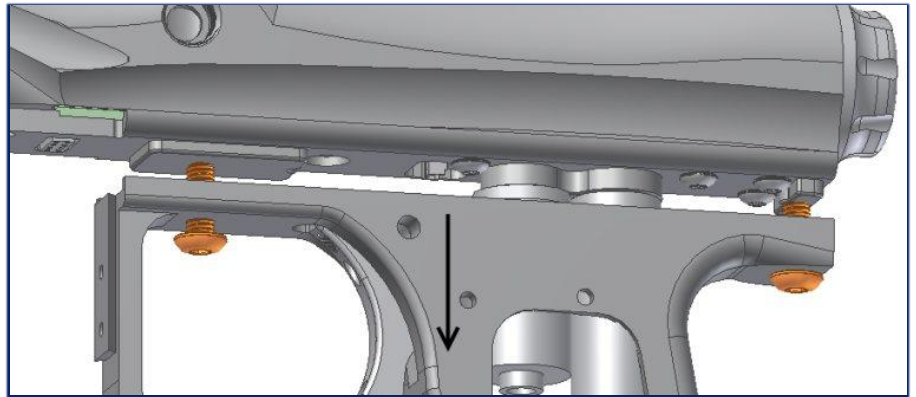
### Installation:

The foregrip extender requires no marker modification however proper installation ins required to ensure your marker is not damaged during regular use.

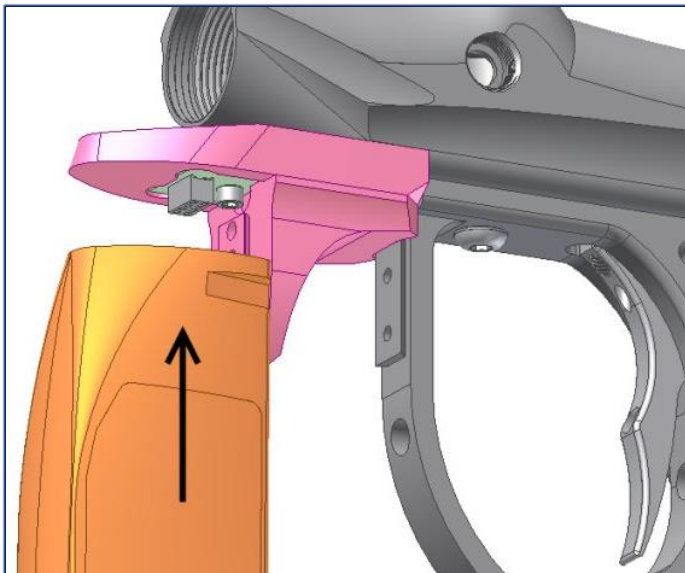
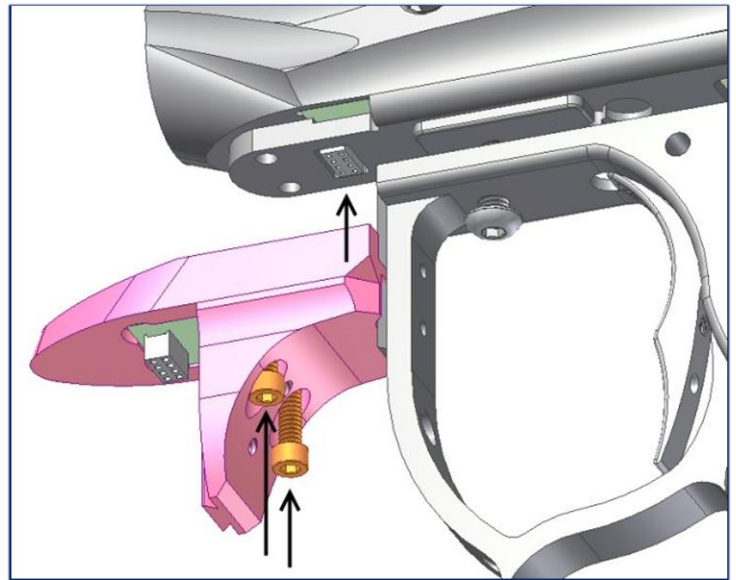
1. Loosen the two locking screws holding the stock foregrip in place, and slide the foregrip off the trigger guard. You can remove the trigger guard's set screws if you wish, as you will not use them while the foregrip extender.
2. With the foregrip separated from the marker body, two of the Mini transfer plate screws are exposed. Loosen and remove these two screws from the marker. (the foregrip extender will utilize these two holes for mounting)



- Loosen the two screws holding the marker's frame to the body. You will need to create a small gap between the frame and body in order to proceed with the installation (you can remove the frame entirely if you wish). Warning, the firing assembly may become free when the rear frame screw is loosened.



- Mount the assembled foregrip extender in position over the front of the transfer plate. The foregrip extender's male connector will align with the female connector located on the marker body.
- With the foregrip extender in position underneath the marker body, install the two replacement screws that attach it to the Mini body using the two empty holes in the transfer plate. Tighten the screws hand-tight; do not over-torque the screws or you risk stripping the screw threads.
- You can now re-attach the marker frame to the body.
- Slide the stock foregrip onto the extender's dovetail and tighten the new locking screws to hold it in position.



The foregrip extender is designed to be a close, tight fit between the transfer plate, frame, and extender. Manufacturing differences from marker to marker require that a small gap be present, however this will not affect regular gameplay. Excessive playing in mud, rain, swamps, or other wet conditions may require you to clean the sensor board if any foreign liquid is able to seep inside the marker (however this is normal wet playing conditions).