

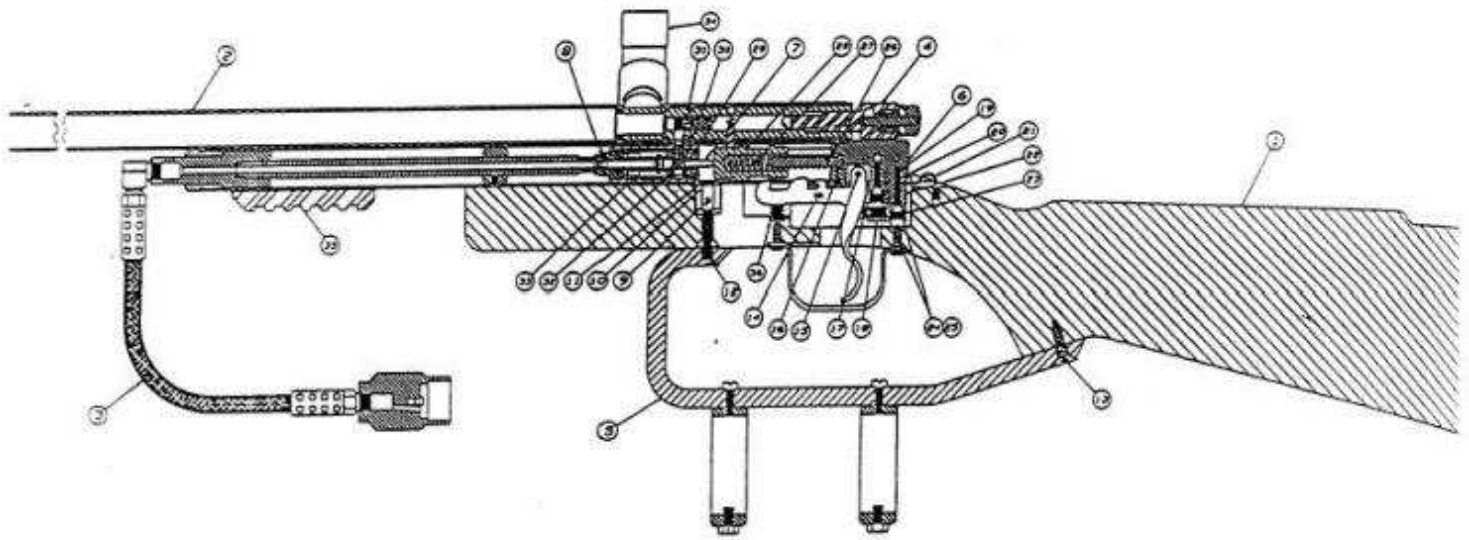


EXPLODED VIEW, PARTS AND PRICE LIST

MODEL KP3 PHASE II

This parts and price list is intended to be an informational guide in ordering Benjamin Sheridan parts. It is not instructional material and we therefore assume no responsibility for those who use the same without proper factory training.

SHERIDAN



a division of Crosman Corporation
Routes 5 & 20 • East Bloomfield, N.Y. 14443. Phone: 716-657-6161. Fax: 716-657-6162
www.sheridanusa.com

MODEL KP3
PHASE II

<u>ID NUMBER</u>	<u>PART NUMBER</u>	<u>QTY PER</u>	<u>PART NAME</u>	<u>COST</u>	
1	NX800	1	BUTT STOCK ASSEMBLY	*	
2	K3X203-2	1	TUBE ASSEMBLY	\$85.46	
3	K3X101	1	FILLER TUBE ASSEMBLY	\$90.22	
4	K3X809	1	CO2 BRACKET ASSEMBLY	*	
5	K3X400	1	BOLT ASSEMBLY	*	
6	382-005	1	RET. CAP ASSEMBLY	\$13.30	
7	FX505-3	1	EXHAUST VALVE ASSEMBLY	\$3.50	
8	FX500	1	CHAMBER PLUG ASSEMBLY	\$5.25	
9	C306	1	ACTION FASTENER NUT	\$.65	
10	C304	1	ACTION FASTENER SCREW	\$1.05	
11	C305	1	ACTION FASTENER WASHER	\$.50	
12	K3302	1	F. BRACKET SCREW	\$.50	
13	K3303	1	R. BRACKET SCREW	\$.50	
14	NB614	1	TRIGGER	\$1.92	
15	HB17-014	1	TRIGGER PIN	\$.50	
16	N505-2	1	RET. CAP SCREW	*	
17	N626-A	1	TRIGGER SPRING PIN	\$.86	
18	N616-1	1	TRIG. SPRING	\$.50	
19	N627	1	SAFETY SPRING	\$.50	
20	N628	1	SAFETYBALL	\$.50	
21	HB17-016	1	SAFETY SLIDE	\$3.37	
22	N624	1	SAFETY MOUNT	\$5.03	
23	N625-A	1	TRIGGER SPRING RET.	\$3.24	
24	N629	2	SOCKET CAP SCREW	\$.50	each
25	N630	2	LOCK WASHER	\$.50	each
26	C603	1	MAINSRING GUIDE PIN	\$.50	
27	G397-017	1	MAIN SPRING	\$1.80	
28	K601	1	STRIKER	*	
29	68AT-034	1	VALVE GUIDE RET. NUT	\$1.34	
30	68AT-032	1	LEAD GASKET	\$.52	
31	68AT-033	1	VALVE GUIDE NUT	\$11.05	
32	C508	1	VALVE GUIDE O-RING	\$.50	
33	G397-011	1	CHAMBER SPRING	\$.50	
34	P911	1	MAG. ADAPTER ELBOW	\$5.01	
35	K3801-2	1	FORE-END	\$8.91	
36	C807A	1	TRIGGER GUARD	*	
37	N808	2	TRIGGER GUARD SCREW	\$.50	each

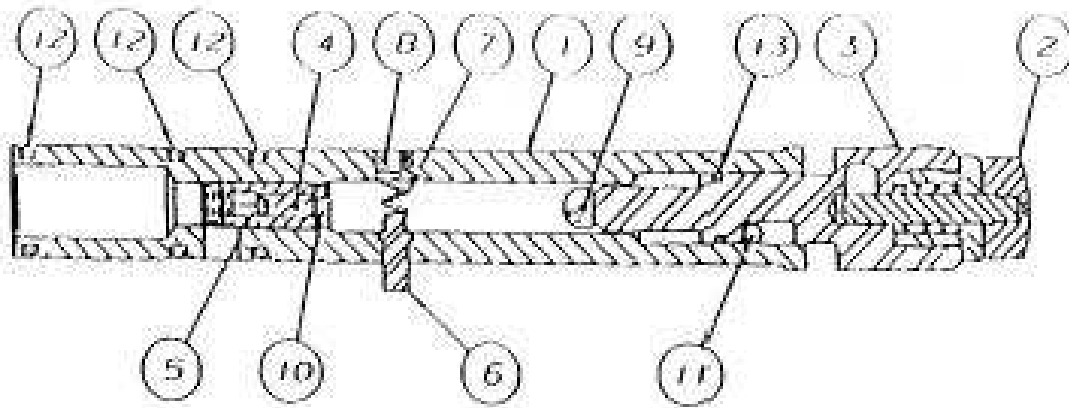
PRICES AND PARTS ARE SUBJECT TO CHANGE WITHOUT NOTICE

PLEASE ORDER BY PART NUMBER AND DESCRIPTION

CHECK OR MONEY ORDER FOR THE TOTAL PRICE MUST
ACCOMPANY THE ORDER

* NOT AVAILABLE

**MODEL KP3
PHASE II
PART NUMBER K3X400 BOLT ASSEMBLY**



<u>ID NUMBER</u>	<u>PART NUMBER</u>	<u>QTY PER</u>	<u>PART NAME</u>	<u>COST</u>	
13	68SC-011	1	BOLT-BALL LOCK O-RING	\$.50	
12	PGP-012	3	BREECH SEAL	\$.50	each
11	68SC-008	1	LOCK RETAINING PIN	\$.50	
10	68SC-012	1	VEL. ADJUSTING PIN	\$.50	
9	PGP-017	2	BOLT DETENT BALL	\$.50	each
8	PGP-011	1	LOCKING LUG SCREW	\$.83	
7	PGP-010	1	BOLT-LOCKING LUG SPRING	\$.50	
6	PGP-009	1	LOCKING LUG PIN	\$.58	
5	68SC-009	1	VEL. DETENT BALL	\$.50	
4	68SC-010	1	BOLT DETENT SCREW	\$2.27	
3	68SC-014	1	BOLT BALL LOCK	*	
2	PTX410	1	FORE-END ROD ASSY.	\$5.64	
1	K340OA	1	BOLT BODY	*	

PRICES AND PARTS ARE SUBJECT TO CHANGE WITHOUT NOTICE

PLEASE ORDER BY PART NUMBER AND DESCRIPTION

**CHECK OR MONEY ORDER FOR THE TOTAL PRICE MUST
ACCOMPANY THE ORDER**