



FIRESTORM

Electric Upgrade Kit for the Autococker

Assembly Instructions

Designed & Manufactured by PGI

Table of Contents

Introduction	1
Safety	1
Parts Diagram	2
Parts Diagram Listing	2
Getting Started	3
Autococker Disassembly	3
Installation of Firestorm Kit	3
Adjusting Secondary Regulator	4
Warranty	5

Introduction

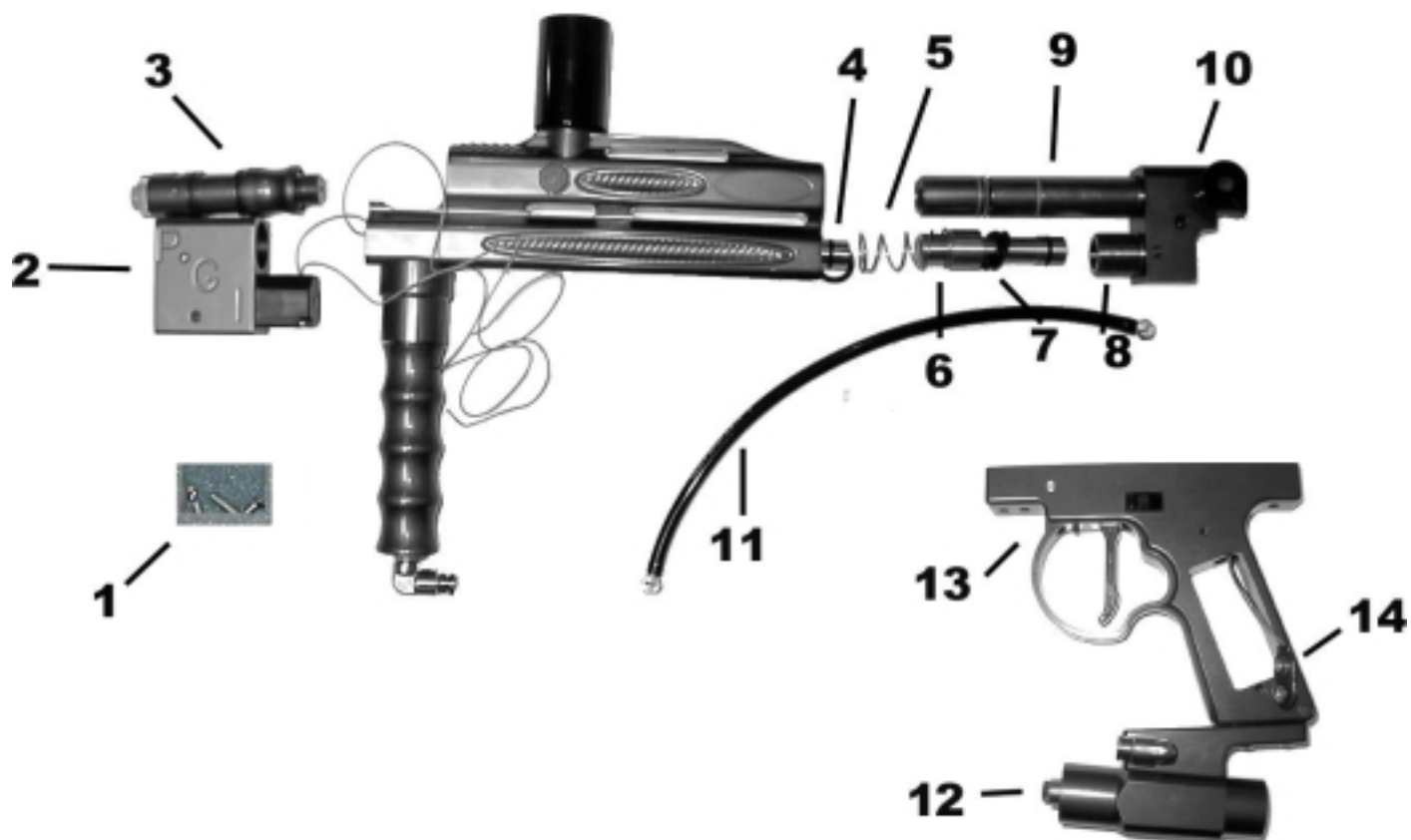
FIRESTORM is a revolutionary design featuring a combination of electronics and pneumatics . The end result is possibly the fastest and most reliable Autococker in the world. It has no sear, no timing, fires at 10-14 balls per second and operates on either CO2 or Nitrogen. The **Firestorm** kit brings the Autococker into the 21st Century

installing or removing the barrel plug. When the marker is not in use always have the safety engaged.

Safety

This Paintball Marker upgrade kit is not a toy! All markers, modified and unmodified should be treated as dangerous weapon and should always be treated with respect. No paint marker should ever be pointed at anybody who is not wearing the proper safety gear. Please read and review the entire manual before attempting installation of the upgrade kit. Proper care in assembling is a must for your gun to remain in perfect working order. Never try to modify your marker beyond what is explained in this manual, serious injury or death could occur, and is not covered under your warranty. Always treat your marker as if were loaded and never aim the marker at anyone who is not engaged in the sport of paintball, and wearing the proper safety precautions. Never shoot at animals, or at the personal property of others. All people who are playing the sport of paintball should be wearing proper attire, and all players must wear eye protection that was designed specifically for the sport of paintball.

Whenever the gun is not in use always remove the CO2 cylinder, and store from extreme heat. Always use a barrel plug in the marker any time you are not playing paintball, and always point the barrel of the marker in a safe direction when



Parts Diagram Listing

1	screw set	8	cylinder
2	secondary regulator housing (w/solenoid)	9	ram
3	secondary regulator	10	back block
4	bottom o-ring	11	¼ hose
5	spring	12	bottom regulator
6	hammer	13	grip (covers not shown)
7	top o-rings (2)	14	battery connector

Getting Started

1. Unpack the **FIRESTORM** kit from the box and inspect for damage.



2. Check inventory of parts received against diagram and list of parts on previous page.

Autococker Disassembly

Refer to your Autococker Manual and disassemble leaving the ASA adaptor, valve, cup seals, spring, lug nut and lock nut installed.

Installation of Firestorm Kit

Back Block

1. Install bottom o-ring (4), spring (5), hammer (6), two top o-rings (7) and cylinder (8) into

lower hammer bore by screwing into existing threads.



2. Slip back block onto cylinder with bolt and ram installed.



3. Push back block against Autococker body and tighten with #8 set screws with Loctite.

Caution: Without Locktite back block can slide off cylinder!

4. Check that front of bolt is equal to or slightly behind the rear of ball drop tube opening. Bolt position can be adjusted forward and rearward by removing bolt with ram and loosening brass jam nut on bolt drive rod. Then retighten jam nut.

Note: Autocoker push pin is not supplied with this kit.

5. Install bolt push pin. Maked sure air supply hole in ram faces down, same as original Autococker bolt.

Front Block

6. Install secondary pressure regulator housing and assure that its o-ring seats correctly.



7. Slide front block over pressure regulator housing.
8. Tighten front block with #8 set screws using Loctite.
9. Cut $\frac{1}{4}$ diameter hose to desired length and install.



10. Feed solenoid valve wires through ASA adaptor.



11. Attach one wire to terminal TB1.
12. Attach second wire to adjacent terminal.
13. Install grip with screws supplied.

CAUTION: Be carefull not to pinch wires between the body of the gun and the grip frame. Use grease to assure spring and balls are retained in the trigger block.

14. Connect **FIRESTORM** bottom line regulator to Autococker ASA adaptor. Note: Customer must provide connecting hose and hardware. I.e. fore grip, etc. PGI recommends the use of a pressure gauge (range to 700psi) on this kit.
15. Install 9 volt battery in grip frame.
16. Switch gun on and cycle trigger. (Solenoid valve should be heard to "click")

ADJUSTING SECONDARY REGULATOR

17. Connect barrel.
18. Connect air source.
19. Adjust primary pressure at ASA to approximately 300psi.
20. While cycling trigger, adjust front screw on secondary regulator until the gun begins to cycle. Using one paintball at a time, check velocity is at desired speed.

Note: Ball velocity is adjusted using bottom line regulator.

CAUTION: Balls can be discharged from drop tube until secondary regulator is adjusted correctly.

21. Secondary regulator pressure is correctly set by loading two balls at a time and increasing secondary regulator pressure until second ball drops freely into the breach.
22. When the second ball drops freely in to the breach, set jam nut on secondary regulator screw.

Note: Air venting from the solenoid valve means secondary regulator pressure is set too high and adjustment process must be repeated.

WARRANTY

Paintguns International, LLC warrants each new **FIRESTORM** it manufactures to be free from defects in material and workmanship for a period of 1 year from the date of purchase. This limited warranty does not cover damages caused by normal wear and tear or misuse by purchaser.

If a **FIRESTORM** part becomes defective during the warranty period, PGI. will replace the defective part free of charge to the original purchaser (less shipping). Proof of purchase must be provided, along with the defective part. If the purchaser wishes PGI to install the new part, labor will be extra.

PGI has no control of the use of its **FIRESTORM** and therefore assumes no responsibility for damages caused to property or person as a result of the use of the **FIRESTORM**.