

WARNING!

Eye protection must be worn at all times by the user and any person located in the range of an actively used paintball marker. All safety gear must be designed and approved for paintball use.

- ✗ The G3 marker is not a toy! Misuse or careless use can cause serious injury or death.
- ✗ Please read the instructions in this operation manual and the accompanying warranty card before using.
- ✗ Always use an approved barrel blocking device when marker is not in use.
- ✗ Always ensure the marker is not pointed at anyone when it is being handled outside the confines of an actual paintball game and where proper eye protection and equipment are not being used.
- ✗ This product is recommended for adults 18 years of age or older. Minors must have adult supervision or participate only on paintball fields meeting ASTM standard F1777-97.

STATEMENT OF LIABILITY

The manufacturer assumes no responsibility for this product's safe operation upon sale or distribution. PROPERTY DAMAGE, BODILY INJURY OR DEATH could occur due to misuse, abuse or failure to follow the manufacturer's instructions stated in this manual. The manufacturer will assume no responsibility for physical injury or property damage resulting from the use of this marker.

The information in this document is subject to change without prior notice. The manufacturer assumes no responsibility for any errors that may appear in this document.

DISCLAIMER

Notice is hereby given that this owner's manual is part of the article owned in whole by the manufacturer, known as indicated by this disclaimer and all illustrations within the manual. All rights for manufacturing and reproducing of such articles or any part thereof are reserved by the manufacturer. Neither said article nor any part thereof may be manufactured or reproduced in any way except by the written authorization of the manufacturer. All proprietary truths and information are the sole property of the manufacturer.

LIMITED WARRANTY

DANGEROUS POWER™ warrants this G3 paintball marker, to the initial retail purchaser, to be free from defect in original materials and/or workmanship for twelve (12) months from the original date of purchase, with the following exceptions:

- (a) Disposable parts (batteries, o-rings, seals, micro switch, air pressure hose, rubber and/or plastic material parts, etc.) are not included in this limited warranty.
- (b) Electronic parts on this marker are fully warranted for 30 days from the original date of purchase.
- (c) Bolt and striker systems of this marker are fully warranted for 6 months from the original date of purchase.
- (d) Surface damages (scratches and nicks) or operation failure due to accident, neglect, modification, normal wear, operator error, maintenance by anyone other than an authorized dealer or agent, misuse, improper disassembly and reassembly, are expressly not covered under this warranty.

Purchaser is responsible for all rendered services not covered under this limited warranty, including any applicable shipping costs, labor, and/or installation.

DANGEROUS POWER™ reserves the right to determine the legitimacy of claimed defective original parts and their eligibility for coverage under the terms of this warranty. DANGEROUS POWER™, its authorized dealers, affiliates, and/or agents, will not be held liable under this warranty, state, federal, or common law for any product failure, personal injury, or property damage resulting from improper use and/or alteration of this product. Any attempt to alter the trigger assembly will instantly void your warranty and may result in serious injury. Any attempt to alter basic marker parts without prior written consent from the manufacturer will result in automatic default of all expressed warranties. Paintball markers are non-refundable and are not subject to exchange from manufacturer. This limited warranty is non-transferable and is valid only upon presentation of a completed warranty registration card and original proof of purchase. There are no other warranties or guarantees, expressed or implied, made by the manufacturer on this paintball marker.

FEATURES

- ✗ Entire operation system utilizes only 2 moving parts, and six o-rings, for maximum dependability and ease of maintenance /repair! (Fewer o-rings minimize "bolt stick" due to less friction upon initial fire, and lessens chance of first shot drop off)
- ✗ Easy access to bolt and assembly, tools provided. Only one screw to remove.
- ✗ No hassle, easy access dip switches on board allows user to select up to 5 modes of fire, covering the most popular regulations of tournament play. Solenoid dwell settings are also easily adjustable through switches (for advanced users only)
- ✗ Signature DP oversized trigger guard for easy "trigger walking" - even with gloves on.
- ✗ Standard 45 degree grip frame enables user to purchase and customize grips readily available.
- ✗ Innovative G3™ "GRIP HOOK" accessory, for easy carry.
- ✗ Cooker compatible barrel threaded.
- ✗ Improved RAPS ASA and XTREME GRIP™ Feedneck
- ✗ Lightweight, 3-D milled body - entire marker, complete with ASA, feedneck, barrel, and 9V battery is only 1.9 pounds!
- ✗ Low operating pressure (180psi) - ideal for even the most brittle tournament paint.
- ✗ In-house, custom designed solenoid made to withstand extreme pressure for maximum reliability.

POWERING THE G3

The G3 is an electro-pneumatic marker and requires the use of a 9-volt battery in order to operate the circuit board that controls the firing mechanism. **Using fresh, high quality batteries will ensure optimal performance.** The battery will slowly drain if left in the G3 - even if the marker is not turned on! To maximize battery life, remove the battery after you are done playing for the day. To insert a battery, you will need to take the supplied 3/32 hex key, unscrew the left grip panel, and remove it. Plug the battery into the harness and gently push it into place. The battery should fit snugly, but refrain from using force to coerce the wires into positions as doing so can cause damage!

Do not use CO2 with the G3 marker. At high rates of fire with cold temperatures, liquid CO2 can damage the solenoid. CO2 is also much harsher on rubber o-rings and can cause irreparable damage within the regulators and other internals. Due to the G3's use of an electronic solenoid and its capability for high rates of fire, use only nitrogen or compressed air.

The G3 operates at under 220 psi, and will perform equally well with HP (high pressure) or LP (low pressure) compressed air tanks. To attach a compressed air tank, simply attach and engage the threaded end of tank to the ASA. Be sure to lubricate the tank's o-ring from time to time to ensure that it does not dry out and become susceptible to leaking. Avoid using any kind of oil in the RAPS, as liquids can damage the solenoid.

To disconnect the air tank, first make sure that there are no paintballs in the marker. Disengage the ASA by loosening the knob or flip the lever to the "off" position (RAPS model only). G3's High Pressure Regulator can still hold air, even after the tank is deactivated. Clear the remaining air out of the G3 by dry firing (point marker in a safe direction) until it no longer fires. Once completed, unscrew air tank.

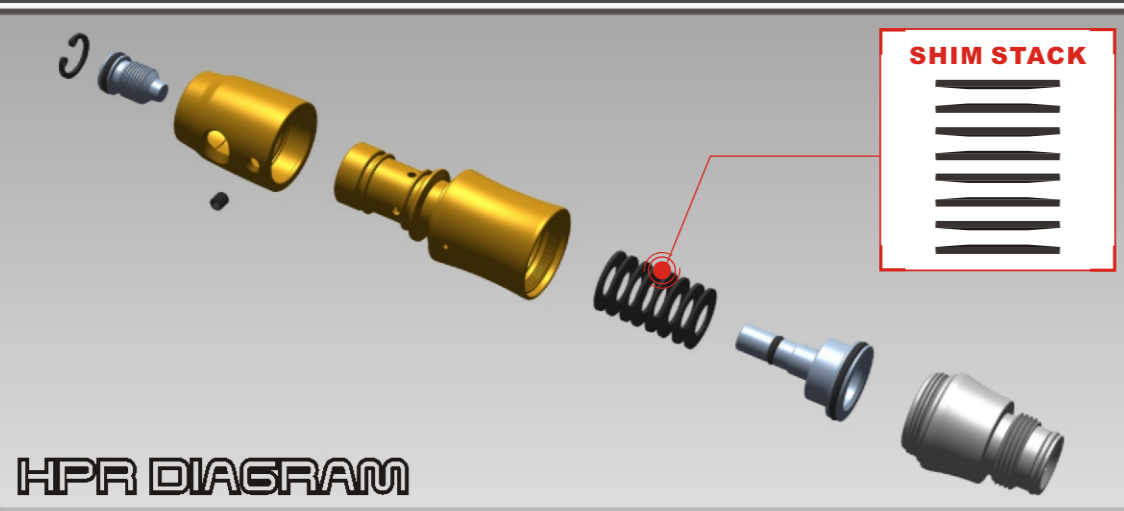
CUSTOMIZED CONFIGURATIONS



REAR PRESSURE GAUGE (SOLD SEPARATELY)

HPR MAINTENANCE:

- ✗ Disconnect the macro-line.
- ✗ Unscrew the bottom portion of the regulator.
- ✗ Screw the adjustment screw all the way in.
- ✗ Gently tap end down until the piston (part #66) is free from the HPR body.
- ✗ Take care to note the order of shims.
- ✗ Clean the piston and examine the two o-rings for any visible signs of damage. Replace if necessary.
- ✗ Once cleaned/replaced, lubricate the o-rings with Dow-55 lubricant.
- ✗ Replace shims in the original order on the piston, and reinsert into HPR body.
- ✗ Screw body onto the top portion of the HPR and reinsert macro-line.



HPR DIAGRAM

HPR ADJUSTMENT:

- ✗ The HPR is adjustable by using the hex screw at the bottom (use HEX tool #1/4).
- ✗ Turning the adjustment screw clockwise, or in, will lower the HPR's output pressure. Turning the adjustment screw counterclockwise, or out, will raise the HPR's output pressure.
- ✗ The G3 marker operates with greatest efficiency with the HPR gauge (sold separately) at approximately 180 psi.
- ✗ The suggested operating pressure is between 150 to 200 psi. Exceeding 220 psi with the HPR is not necessary to reach the 300 fps universal velocity limit. Increasing pressure beyond what is recommended can damage part #6 as well as create other problems.
- ✗ Immediately shut off HPR if any leakage is detected.

ACTIVATION:

- To activate G3, hold down button "A" for 1.5 seconds. When the red light turns into a blinking blue light, the sensor has been activated.
- G3 is ready to be fired once the marker has been loaded and the blue light remains on.
- Press the button "A" to switch sensor systems.
- G3 will turn off automatically after 20 minutes of non-use.
- Press "A" to manually shut off G3.

QUICK REFERENCE GUIDE:

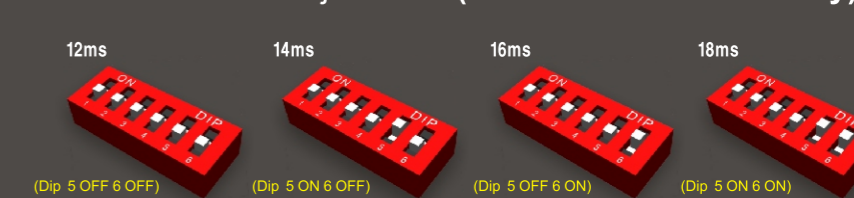
- ✗ Red light flashing every 3 seconds - Battery power low.
- ✗ Green light blinking rapidly - Sensor system OFF.
- ✗ Green light blinking slowly - Sensor system ON and marker NOT loaded.
- ✗ Green light steady - Sensor system ON and marker loaded.



6. BPS and Ramping System:



7. Solenoid dwell adjustment (for advanced users only)



- ABS (Anti-Bolt Stick) default
 - ✗ Dwell is programmed at 16ms upon 1st shot.
 - ✗ Thereafter, dwell is programmed at 14ms, unless adjusted.
 - ✗ Dwell will return into 16ms after 50 seconds of non-use.

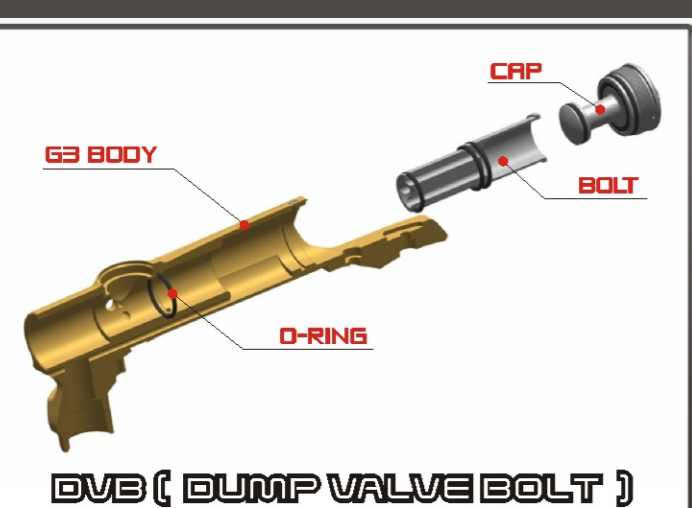
DEACTIVATION:

- ✗ Press and hold the power button "A" for 4 seconds.
- ✗ Release the button once the LED light shuts off.

BOLT MAINTENANCE:

G3 is equipped with a precision crafted aluminum bolt for durability and reducing friction. The bolt must be kept clean for optimal performance. If the surface of the bolt becomes sticky, please use the following cleaning instructions:

- Make sure the air system is not attached to the G3, the hopper is removed, and there are no paintballs within the breech.
- Remove the bolt cap from the rear (use HEX tool 3/16).
- Carefully remove the bolt from the rear.
- Clean the bolt with a clean cloth, and take out all o-rings from the bolt. Inspect and replace all worn o-rings. Be sure to use the correct o-ring sizes for each groove within the bolt.
- After completing above instructions, lubricate the o-rings with the following recommended mixture: 1/3 gun oil (high quality handgun lubricant containing no Teflon) and 2/3 Dow 33. Make sure not to over lubricate as it shown to cause "bolt drag".



BVB (BUMP VALVE BOLT)

- Carefully inspect bolt cap to ensure the surfaces are free from damage.
- Replace the bolt and secure bolt cap in original place. Use of force is not necessary, and may damage/strip delicate threads.



BACK POSITION

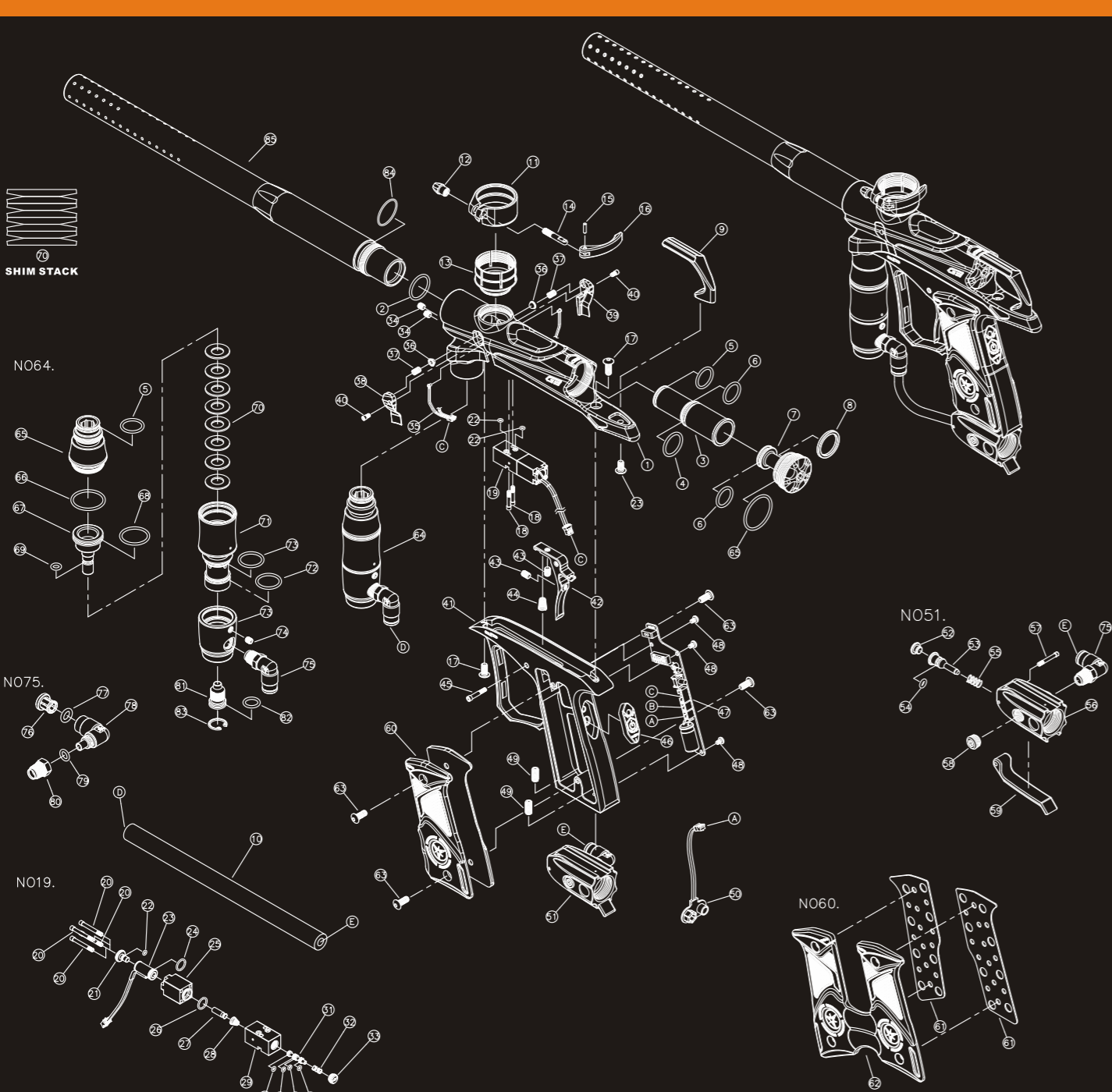


FORWARD POSITION

TROUBLESHOOTING

PROBLEM	POSSIBLE CAUSE	SOLUTION	PROBLEM	POSSIBLE CAUSE	SOLUTION	PROBLEM	POSSIBLE CAUSE	SOLUTION
G3 will not turn on	Not activated	Hold down operating button for more than 4 seconds	G3 will not fire with sensor system on	No paintball present	Turn on the loader	Air leaking from barrel area	Bolt cap o-ring is worn	Change o-ring
	Low battery power	Replace with fresh battery		Sensor system is unclear	Remove and clean sensor eye		Internal o-ring is worn or damaged	Change o-ring
	Battery is connected incorrectly to the PC board	Check to see if the battery cable is connected correctly to the terminal		Ball detent is damaged	Change ball detent	Paintball breaking out of the barrel	Barrel size does not match paintball's	The stock barrel size is 0.690, change if necessary
G3 will not fire	Low battery power	Replace with fresh battery	G3 will not cycle completely	Broken paintball inside	Refer to bolt maintenance	Paintball chopping internally	Ball detent is worn	Change ball detent
	Low air pressure	Refill the air system		Air pressure is too low	Adjust the operating pressure to 150 to 200 psi		Sensor system is not on	Switch it to ON
	Solenoid may be out of place	Open grip and press solenoid forward		Dwell time is too short	See "dwell adjust system"	Low battery power	Change battery	Replace with fresh battery
HPR pressure is too low	Adjust HPR pressure without paintball present	Low battery power		Change battery	Bolt o-ring is worn	Change o-ring		
				Bolt o-ring lubricant is exhaust	Lubricate the o-ring with Dow-55 lubricant			

PARTS DIAGRAM AND TABLE



NO	ITEM NUMBER	O'ly	NOTE	33	20-H03110-000-PFUS0A	1		66	20-F01550-000-PFUS0A	2	ø21.95*ø1.78
1	20-B01236-301-PG300B	1		34	20-W10930-000-PTHR7A	2	#5-40UNC-3/16" L	67	20-B10132-300-PFUS0A	1	
2	20-F01730-000-PTHR7A	1	ø17.17*ø1.78	35	20-W23600-000-PSPI0B	1		68	20-F01540-000-PFUS0A	1	ø18.77*ø1.78
3	20-B10242-306-PSPI0B	1		36	20-E01150-000-PSPI0B	2		69	20-F01570-000-PFUS0A	1	ø4.47*ø1.78
4	20-F01750-000-PTHR7A	1	ø15.8*ø1.9	37	20-G10300-000-PSPI0B	2		70	20-W20090-000-PFUS0A	8	
5	20-F01510-000-PFUS0A	2	ø14*ø1.78	38	20-B30643-101-PIQ00L	1		71	20-B16083-301-PSPI0B	1	
6	20-F01720-000-PTHR7A	2	ø13.8*ø1.9	39	20-B30653-101-PIQ00L	1		72	20-F01760-000-PTHR7A	2	ø15.6*ø1.78
7	20-B10263-301-PSPI0B	1		40	20-W11020-000-PSPI0B	2	#3-56UNF-4L	73	20-B16103-301-PSPI0B	1	
8	20-E10160-000-PSPI0B	1		41	20-B05245-301-PG300B	1		74	20-W10960-000-PTHR7A	1	#10-32UNF-4.76L
9	20-B30635-101-PIQ00L	1		42	20-B30593-101-PSPI0B	1		75	20-A01130-104-PT00	2	1/8"NPT
10	20-E02092-000-P031	1	ø1/4" * 130L	43	20-W10950-000-PTHR7A	2	#8-32UNC-6.35L	76	20-D15020-104-PT00	2	
11	20-B16134-301-PG300B	1		44	20-G10290-000-PFUS0A	1		77	20-F01340-000-PT00	2	ø5.8*ø1.9
12	20-H03150-000-PG300B	1		45	20-W10980-000-PTHR7A	1	#3-56UNF-16.3L	78	20-D15232-104-PT00	2	
13	20-B25642-301-PG300B	1		46	20-F10140-000-PIQ00L	1		79	20-F01350-000-PT00	2	ø5*ø1.5
14	20-C25030-104-PG300B	1		47	20-W23580-000-PSPI0B	1		80	20-D16142-104-PT00	2	
15	20-H05560-000-PFUS0A	1		48	20-W10840-000-PFUS0A	3	#3-56UNF-5/32" L	81	20-H05430-000-PFUS0A	1	OPR
16	20-B30674-301-PG300B	1		49	20-W11040-000-PSPI0B	2	#10-32UNF-5/16" L	82	20-F01580-000-PFUS0A	1	ø9.25*ø1.78
17	20-W11030-000-PSPI0B	2	#8-32UNC-12L	50	20-W23020-000-PB01	1		83	20-W53010-000-PFUS0A	1	
18	20-W10790-000-PFUS0A	2	#3-56UNF-13.3L	51	20-A01290-301-PG300B	1		84	20-F01600-000-PFUS0A	1	ø20*ø1
19	20-A06192-305-PIQ00L	1		52	20-E01130-000-PFUS0A	1		85	20-B16094-301-PSPI0B	1	
20	20-W10780-000-PFUS0A	4	#3-56UNF-19.8L	53	20-H05540-000-PG300B	1					
21	20-C20040-104-PFUS0A	1		54	20-F01590-000-PFUS0A	1	ø3.69*ø1.78				
22	20-F01780-000-PG300B	3	ø2*ø1	55	20-G10250-000-PFUS0A	1					
23	20-A06170-000-PSPI0B	1		56	20-B25635-301-PG300B	1					
24	20-F01480-000-PFUS0A	1	ø6*ø1	57	20-W10810-000-PFUS0A	1	#3-56UNF-17.5L				
25	20-C01042-104-PFUS0A	1		58	20-W10560-000-PM31	1	1/8"-27NPT-6.5L				
26	20-F01470-000-PFUS0A	1	ø7.5*ø1	59	20-B30684-301-PG300B	1					
27	20-C20053-104-PTHR7A	1		60	20-A13800-610-PG300B	1					
28	20-G10230-000-PFUS0A	1		61	20-C10120-000-PG300B	2					
29	20-B20242-301-PTHR7A	1		62	20-E05230-610-PG300B	1					
30	20-F01700-000-PFUS0A	4	ø2*ø1	63	20-W10730-000-PFUS0A	5	#8-32UNC-5/16" L				
31	20-H05480-000-PTHR7A	1		64	20-A20250-301-PSPI0B	1					
32	20-G10220-000-PFUS0A	1		65	20-B25573-301-PSPI0B	1					

