
WARNING:

- This paintball marker/gun is not a toy nor is it intended for unsupervised use by persons under the age of 18 years.
- Misuse may cause serious injury or death.
- Eye Protection designed for paintball use must be worn by the user and any person within range.
- Read operation manual before using.
- Do not field strip or remove any parts while marker is pressurized.

-
- Always keep in mind that the sport of Paintball will be viewed and judged upon your safe and sportsmanlike conduct.

TIPPMANN

PNEUMATICS, INC.

Get Your Heart Pounding With A Tippmann!

MODEL 98

Owner's Manual

CO₂ POWERED
PAINTBALL GUN



TIPPMANN

PNEUMATICS, INC.

3518 Adams Center Road, Fort Wayne, IN 46806

P) 260-749-6022 • F) 260-749-6619

www.tippmann.com

CONGRATULATIONS on your purchase of a “Tippmann *Model 98*” paintball gun. We believe it to be the most accurate and durable paintball gun available. The *Model 98* will give many years of dependable service if cared for properly.

Please take time to read through this manual thoroughly and become familiar with the “Tippmann *Model 98*” parts, operation, and safety precautions before you attempt to load or fire this gun.

INDEX

Table of Contents	
Warning/Liability Statement	5
Safety is your Responsibility	5
Specifications	7
Getting Started	8
1. Tank Installation	8
2. Ammo Box	8
3. Velocity Adjustment	9
4. Rear Sight Adjustment	9
Schematic	10-11
Unloading Your Gun	12
1. Tank Removal	12
Cleaning & Maintenance	13
Field Stripping	13
1. Receiver Disassembly	14
Repairing Tank Leaks	16
Storage	16
Warranty and Repair Policy	17
1. Warranty or Repair Procedure	18

Warning/Liability Statement

This gun is classified as a dangerous weapon and is surrendered by Tippmann Pneumatics, Inc. with the understanding that the purchaser assumes all liability resulting from unsafe handling or any action that constitutes a violation of any applicable laws or regulations. Tippmann Pneumatics, Inc. shall not be liable for personal injury, loss of property or life resulting from the use of this weapon under any circumstances, including the intentional, reckless, negligent or accidental discharges.

All information contained in this manual is subject to change without notice. Tippmann Pneumatics, Inc. reserves the right to make changes and improvements to products without incurring any obligation to incorporate such improvements in products previously sold.

Safety is Your Responsibility!

The ownership of this weapon places upon you the total responsibility of its safe and lawful use. You must observe the same safety precautions as you would any firearm to assure the safety of not only yourself but everyone around you. The user should at all times use caution when using this gun. Always remember that the game of Paintball can only survive and grow if it remains SAFE!

- Do not load or fire this gun until you have completely read this manual and are familiar with its mechanical operation and handling characteristics.
- Handle this and any other gun as if it were loaded at all times.

-
- Never point the gun at anything you do not intend to shoot.
 - Always keep the muzzle pointed down or in a safe direction, even if you stumble or fall.
 - All persons within a 200 yard radius should always wear eye protection in the form of approved goggles or full face mask and never shoot at a person who is not similarly protected.
 - Pressurize and load the gun only when the gun will be immediately used. Unload and remove the CO₂ cylinder immediately after use for safe storage.
 - Dress appropriately when playing the game of paintball. Avoid exposing any skin when playing the game of paintball. Even a light layer will absorb some of the impact and protect you from the paintballs.
 - Keep exposed skin away from escaping CO₂ gas when installing or removing cylinder. CO₂ gas is very cold and can cause frostbite under certain conditions.
 - Use only .68 caliber paintballs. Never load or fire any foreign objects.
 - Do not field strip or otherwise disassemble this gun while it is pressurized with gas.
 - Do not look directly into the barrel. Accidental discharge into the eyes may cause permanent injury or death.
-

-
- Avoid alcoholic beverages before and during the use of this gun. Handling guns while under the influence of drugs or alcohol is a criminal disregard for public safety.
 - Avoid shooting an opponent at point blank (6 feet or less).
 - If you purchased a 12 gram cartridge or any other form of adapter with this gun be sure to read and follow the instructions that came with the adapter.
 - Never fire your gun at personal property of others, the paintball can stain the paint of automobiles and houses.

Specifications

Model	Tippmann Model 98
Caliber68
Action	Semi-Automatic (Open bolt blow-back)
Power	CO ₂ cylinder
Magazine Capacity	150 Rd Hopper
Cycle Rate	11 RPS
Standard Barrel Length	8.5"
Overall Length (with standard barrel & no tank)	19.63"
Weight (without tank)	2.9 lbs.
Effective Range	150+ ft.

Getting Started

Note: *Safety goggles must be worn at all times when handling this gun.*

1) Tank Installation

First make sure that the gun is on SAFE mode. Next you need to cock the gun by sliding the bolt handle all the way back until it locks into place.

To install the tank, insert the tank valve end into the tank adapter at the back end of the pistol grip. Twist the tank clockwise into the gun, until it stops. Adjust the butt plate if necessary. Your gun is ready to fire once you switch to firing mode from safe mode.

If the tank is full and you do not hear the CO₂ engage, the pin valve could be too short or the pin valve seal is damaged.

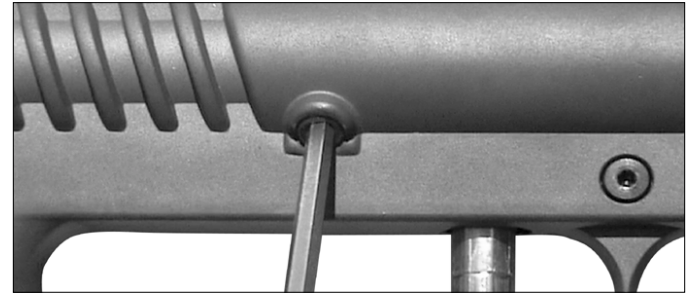
2) Ammo Box

Make sure that the neck is clean and to keep the paintballs from breaking and to feed the gun smoothly. You do not want any sharp edges or debris in your hopper.

Install the neck into the feed elbow of your gun and tighten the hopper down with the large allen wrench. Now you are ready to load your hopper with paintballs.

Note: *Do not overtighten or the elbow will break.*

3) Velocity Adjustment



To adjust the velocity use the small allen wrench included with your gun. The velocity adjustment screw is located on left side receiver at a 45° angle. To adjust the velocity down, turn the screw inward or clockwise. To turn the velocity up, turn the screw out or counterclockwise.

Note: You must turn the velocity screw all the way in before doing any disassembly.

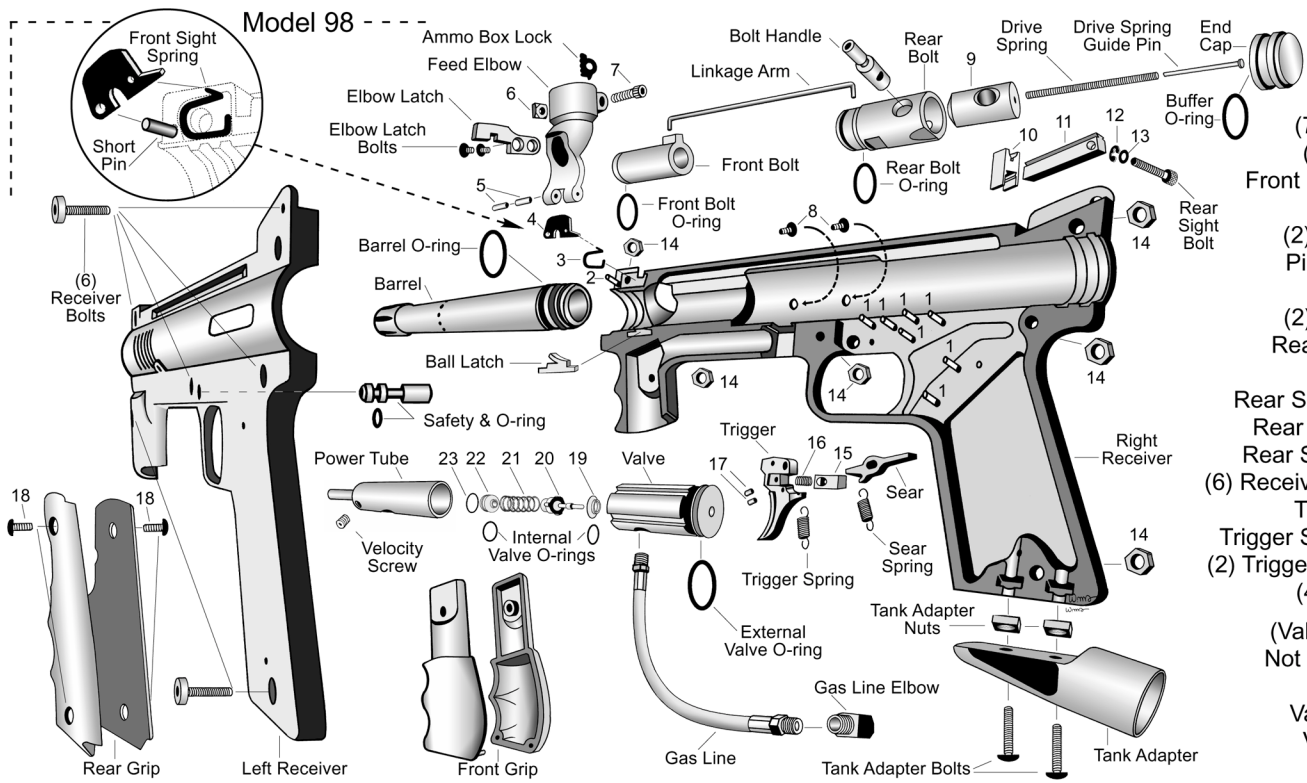
4) Rear Sight Adjustment

If your paintball is hitting low, slide the rear sight back towards rear of gun. Do the opposite if paintball is hitting high.

If your paintball is hitting to the left of your intended target, turn sight knob clockwise to move your sight to the right. Do the opposite if the paintball is hitting to the right.

Model 98

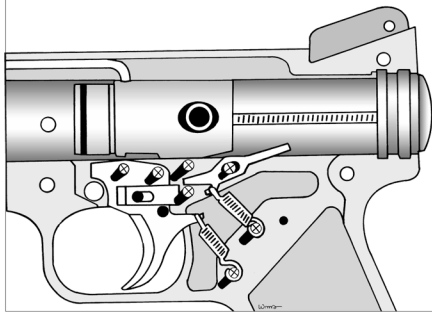
MODEL 98 PARTS



- (7) Long Pins (1)
- (1) Short Pin (2)
- Front Sight Spring (3)
- Front Sight (4)
- (2) Elbow Pins (5)
- Pinch Bolt Nut (6)
- Pinch Bolt (7)
- (2) Valve Bolts (8)
- Rear Bolt Insert (9)
- Rear Sight (10)
- Rear Sight Dovetail (11)
- Rear Sight E-Clip (12)
- Rear Sight O-ring (13)
- (6) Receiver Bolt Nuts (14)
- Trigger Slider (15)
- Trigger Slider Spring (16)
- (2) Trigger Slider Pins (17)
- (4) Grip Bolts (18)
- (Valve Disassembly Not Recommended)
- Valve Seat (19)
- Valve Plunger (20)
- Valve Spring (21)
- Valve Plug (22)
- Valve Snap Ring (23)

Trigger Assembly

- 1) Place all (7) tall pins in the locations where there are (x) marks.
- 2) Then place the trigger and sear into pins as shown.
- 3). Loop springs onto the bottom pins and then onto the trigger and sear.



TIPPMANN

PNEUMATICS, INC.

Get Your Heart Pounding With A
Tippmann!
 3518 Adams Center Road, Fort Wayne, IN 46806
 P) 260-749-6022 • F) 260-749-6619
www.tippmann.com

Unloading Your Gun

To unload your gun remove the ammo box or completely empty the ammo box. Then, point your gun in a safe direction and fire several times to be sure there are no balls lodged in the chamber.

1) Tank Removal

To remove a charged CO₂ cylinder, turn the cylinder approximately 3/4 of a turn counterclockwise or out. This allows the tank pin valve to close so that no CO₂ will enter the gun. Point the gun in a safe direction and fire the remaining CO₂ in the gun by pulling the trigger until the gun stops firing. (This may take 4-5 shots)

If your gun keeps firing after you have turned the tank 3/4 of a turn, the tank pin valve has not closed yet and you may have to turn the tank counterclockwise a little further.

If you turn the tank 3/4 of a turn and it begins to leak before you pull the trigger you have turned it too far and may have damaged the tank o-ring.

Because of the variances in tank valve parts, each tank varies slightly on exactly how far it should be turned. If this process does not work the tank pin valve could be too long.

Cleaning & Maintenance

To clean your paintball gun use a damp towel with water to wipe off paint, oil, and debris. We recommend using a premium gun oil to maintain your gun in good working condition. (Hoppes #9 gun oil) Re-oil with a few drops to the front bolt, rear bolt, linkage arm, and tank o-ring. We also recommend using white lithium grease on the barrel o-ring and safety o-ring.

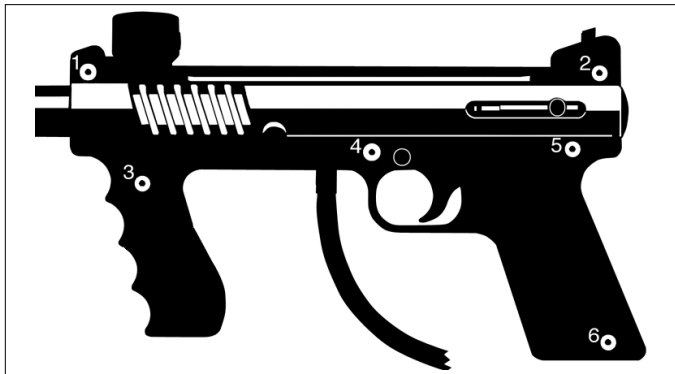
Note: Before doing any cleaning, remove the CO₂ cylinder from your gun and do not use any cleaning solvents.

Field Stripping

You must first unload your gun before trying to field strip it and have the gun in the uncocked position. If your gun is cocked, hold the bolt handle while pulling the trigger which will un-cock the gun.

Note: The barrel, tank adapter, and rear grip must be removed first. Next, turn the velocity screw in until it stops. Then the (6) receiver connection bolts will be accessible.

1) Receiver Disassembly



To remove the left-side receiver, unscrew all (6) receiver connection bolts. Then carefully lift the left-side receiver to access the internals.

Note: The Safety will stay on the left-side receiver and should be reassembled the same way.

Once inside, pull the end cap out to remove the drive spring guide pin and drive spring. These parts must be removed before the bolt handle will release. Disconnect the linkage arm from the rear and front bolts. Slide the front bolt off the power tube and check the o-ring. Clean and oil the o-ring or if damaged, replace with a new one. Do the same with the rear bolt o-ring.

Power tube and valve removal.



To release the power tube and valve, unscrew the two valve bolts on the outer right-side receiver.

Note: *Unless your gun is severely dirty or you need to replace the valve DO NOT remove the gas line fitting. If you should do so you will need some LOCTITE® #271 to reinstall it.*

To remove the fitting use a wrench to slowly unscrew the fitting. Once the fitting is out, the valve will slide out the back of the power tube.

Note: *Check the external valve o-ring at this time. If the o-ring is damaged your gun will not function correctly.*

Repairing Tank Leaks

The most common leak occurs from a bad tank o-ring. To replace a tank o-ring you must first remove the bad o-ring and then install a new one. This o-ring is located on the tip of your tank valve.

The best tank o-rings are made of urethane. The urethane o-rings are not affected by high CO₂ pressures. These may be purchased from Tippmann Pneumatics or your local paintball dealer.

Storage

You should store your gun in a dry area. The only parts that can rust are the rear bolt and linkage arm. Before storing your gun make sure that the rear bolt and linkage arm are cleaned and oiled so that they do not rust. Store your gun with the bolt in the forward position. Empty and remove the CO₂ tank from the gun.

When removing your gun out of storage you should re-oil the rear bolt, linkage arm and the front bolt before use.

Warranty and Repair Policy

Tippmann Pneumatics, Inc. is dedicated to providing you with the ultimate paintball gun and the quality support necessary for the utmost satisfaction in its use. Tippmann Pneumatics, Inc. warrants that this product is found free from defects in materials and workmanship for a period of 1 year from the original date of purchase by the initial owner/purchaser. On claims submitted as outlined, Tippmann Pneumatics, Inc. will repair or replace, without charge, any of its guns that have failed through defect in material or workmanship.

In the event warranty or other non-warranty related repairs are required, send the product(s) to Tippmann Pneumatics, Inc. We strive to complete the necessary repair work within 24 hours and return it to you via regular ground UPS. For assistance with warranty and repair call 1-800-533-4831.

Note: If you should encounter any problems with your gun and you have aftermarket parts on your gun, please test it with the original stock parts before sending it in.

Warranty or Repair Procedure

For warranty and non-warranty repair, ship or deliver your product(s) to Tippmann Pneumatics, Inc., with postage or delivery charges prepaid. Include a brief statement regarding the requested repair, your name, return address and telephone number where you can be reached during normal business hours, if possible.

If you wish to have it returned quicker, request for next day air and include your credit card number with the expiration date.

Note: *The model number is just the name of the gun and the serial number is on the side of the gun. (Not the Pat. #)*

Ship to: Tippmann Pneumatics, Inc.
3518 Adams Center Road
Fort Wayne, IN 46806

COMPLETE WARRANTY CARD.
CAREFULLY TEAR OFF AT
PERFORATION AND MAIL.

TIPPMANN
PNEUMATICS, INC.

Mail Completed Card to:
Tippmann Pneumatics, Inc.
3518 Adams Center Road
Fort Wayne, IN 46806

WARRANTY REGISTRATION CARD

MODEL _____ Model 98 _____ SERIAL # _____

PURCHASED FROM _____

DATE _____ CITY _____ STATE _____ ZIP _____

YOUR NAME (Please print) _____

STREET _____

CITY _____ STATE _____ ZIP _____

PHONE # _____

TIPPMANN PNEUMATICS, INC. 3518 ADAMS CENTER ROAD FT. WAYNE, IN 46806
P) 260-749-6022 F) 260-749-6619 www.tippmann.com