

**TM 219-749-6022**

---

**OPERATOR'S MANUAL**

**TIPPMANN 68-CARBINE**

---

**SEMI-AUTOMATIC  
CO<sub>2</sub> POWERED  
PAINTBALL GUN  
CALIBER .68**

**TIPPMANN**

**PNEUMATICS, INC.**

3518 ADAMS CENTER ROAD  
FORT WAYNE, IN 46806

**OPERATOR'S MANUAL  
"TIPPMANN 68-CARBINE"  
CO<sub>2</sub> POWERED PAINTBALL GUN**

**TIPPMANN**  
**PNEUMATICS, INC.**

Fort Wayne, Indiana

Warranty & Repair 1 (219) 749-6022

CONGRATULATIONS on your purchase of our "TIPPMANN 68-CARBINE" Paintball Gun! We believe it to be the most accurate and durable paintball gun available at any price, and it will give many years of dependable service if cared for properly.

Please take time to read through this manual thoroughly and become familiar with the "TIPPMANN 68-CARBINE" parts, operation, and safety precautions before you attempt to load or fire the weapon.

**INDEX**

<b>Table of Contents</b>	<b>Page</b>
Warning/Safety/Liability Statement	1
General	3
Specifications	3
Operating Instructions	
1. CO <sub>2</sub> Cylinder Connection & Removal	3
2. Trigger Safety Switch	6
3. Loading / Unloading	6
4. Firing	6
5. Removing CO <sub>2</sub> Cylinder	6
Assemblies (Exploded view of gun)	4 & 5
Maintenance	
1-M. Barrel Cleaning	7
2-M. Before Storing	7
3-M. After Storage & Before Use	7
4-M. Velocity Adjustment	7
5-M. Valve Removal and Assembly	7
CO <sub>2</sub> Cylinder Refilling Instructions	8
Warranty & Repair	9

## WARNING/LIABILITY STATEMENT

This weapon is classified as a dangerous weapon and is surrendered by Tippmann Pneumatics, Inc. with the understanding that the purchaser assumes all liability resulting from unsafe handling or any action that constitutes a violation of any applicable laws or regulations. Tippmann Pneumatics, Inc. shall not be liable for personal injury or loss of property or life resulting from the use of this weapon under any circumstances, including the intentional, reckless, negligent or accidental discharges.

All information contained in this manual is subject to change without notice, and in no way represents a commitment on the part of Tippmann Pneumatics, Inc. We reserve the right to make changes and improvements to products without incurring any obligation to incorporate such improvements in products previously sold.

## SAFETY IS YOUR RESPONSIBILITY!

The ownership of this weapon places upon you the total responsibility of its safe and lawful use. You must observe the same safety precautions as you would any firearm to assure the safety of not only yourself but everyone around you. Outlined here are some general precautions to be aware of, the user should at all times use common sense when using this weapon and always remember that the game of Paintball can only survive and grow if it remains SAFE!

- Do not load or fire this gun or operate its parts until you have read this manual and are familiar with its mechanical operation and handling characteristics.
- Handle this and any other weapon as if it was loaded at all times.
- Never point the weapon at anything you don't intend to shoot.
- Always keep the muzzle pointed down or in a safe direction  
*-Even if you stumble or fall.*
- *All persons within 200 yards radius should always wear eye protection in the form of approved goggles or full face mask and never shoot at a person who is not similarly protected.*
- *Do not fire gun with rear sight removed. Shooting without rear sight allows linkage arm to pop out and cause damage to the gun and possible physical injury. 1 (SAFETY continued on next page)*

## **SAFETY IS YOUR RESPONSIBILITY** (Continued from page 1)

- Pressurize and load the weapon only when you are using it. Unload and remove CO<sub>2</sub> cylinder immediately after use for safe storage.
- Dress for safety when playing the game, avoid any areas of exposed skin especially the face and throat. Even a light layer will absorb some of the impact and protect your skin from cuts produced by the gelatin paintball shell fragments when hit at close ranges.
- Keep exposed flesh away from escaping CO<sub>2</sub> gas when installing or removing bottles or cartridges of gas from the weapon or from a filling cylinder. CO<sub>2</sub> gas is very cold and can cause frostbite under certain conditions.
- Use only .68 caliber paintball pellets. Never load or fire any foreign objects.
- Do Not field strip or otherwise disassemble this gun while it is pressurized with gas. Removing the lower receiver while under gas pressure will cause the gun to shoot uncontrollably. Remove CO<sub>2</sub> cylinder or CO<sub>2</sub> cartridge before doing any disassembly.
- Do not look directly into the barrel. Accidental discharge into the eyes may cause permanent injury or death.
- Avoid alcoholic beverages before and during the use of this weapon. Handling guns while under the influence of drugs or alcohol is a criminal disregard for public safety.
- Avoid shooting an opponent at point blank (three feet or less).
- If you purchased a 12 gram cartridge adaptor with this gun be sure to read and follow the instructions that came with the adaptor.
- Never fire your weapon at personal property of others, the paintball can stain the paint of automobiles and houses if left on the surface for a few hours.

**WARNING:** This gun is not a toy nor is it intended for unsupervised use by persons under the age of 18 years. Always keep in mind that the sport of Paintball will be viewed and judged upon your safe and sportsmanlike conduct.

## GENERAL

The "TIPPMANN 68-CARBINE" semiautomatic rifle (Cal. 68) is a modern, small arm produced in accordance with the most advanced manufacturing methods.

The "TIPPMANN 68-CARBINE" is a gas operated rifle which fires from an open bolt, blow-back system.

## SPECIFICATIONS

Model Tippmann .....	"68-CARBINE"
Caliber .....	.68
Action .....	Semi-Automatic (Open bolt blow-back)
Power .....	CO <sub>2</sub> - optional 9 oz. cylinder
Magazine Capacity .....	150+
CO <sub>2</sub> Capacity .....	500+ shots per (optional) 9 oz. cylinder
Cycle Rate .....	300 RPM
Standard Barrel Length .....	8.5"
Sniper Model Barrel Length .....	14"
Length - Overall (with Standard barrel & no tank) .....	18"
Weight (without tank) .....	2.2 lbs.
Effective Range .....	150+ ft.

## OPERATING INSTRUCTIONS

### 1. CO<sub>2</sub> Cylinder Connection

With gun unloaded, pointed in a safe direction and safety on, pull the bolt handle back to the cocked position. Hold gun's barrel/upper receiver in left hand. With right hand connect Constant Air Cylinder\* by twisting cylinder clockwise into rear end of receiver until tight. The cylinder valve is opened in the last full clockwise twist of the cylinder (stock) into the receiver. Gun should be fully charged and ready to fire. To test, point in a safe direction, release safety and pull trigger. Gun will cycle and fire.

**WARNING-** Danger When firing: the bolt handle will cycle forward and back with each shot and operator injury or equipment damage may result if objects including hands, face etc are allowed to obstruct its cycle path.

*\*NOTE: The optional CO<sub>2</sub> cylinder comes complete with valve and butt plate. The valve stem visible in the end of the valve body is automatically depressed when threaded into the receiver body. This charges the gun with its CO<sub>2</sub> propellant.*

Front Sight



Front Bolt O-Ring

Front Bolt

Power Tub

Velocity Adjustor

Velocity Adjustor S

Pi

# TIPPMANN

**PNEUMATICS, INC.**

3518 Adams Center Road • Fort Wayne, Indiana 46806  
U.S.A.

1 (219) 749-6022

MODEL:

## TIPPMANN 68-CARBINE

SEMI-AUTOMATIC CALIBER .68  
CO<sub>2</sub> POWERED PAINTBALL GUN

Barrel

Into Right Lower Receiver Half; Insert Trigger/Sear & Springs On 5 Receiver Dowel Pins; Insert 2 Grip nuts and 2 Tank Adapter Nuts. Into Left Lower Receiver Half; Insert 2 Grip nuts and then bolt two halves together with 2 Receiver bolts and nuts. Attach 2 grips with 4 grip bolts. Insert safety with O-ring and secure with safety snap ring. Insert 90° Gas Line Fitting into Tank Adapter and attach it to bottom of lower receiver using 2 Tank Adapter Bolts. Then attach lower and upper receivers with 4 Receiver Connection Bolts. Connect one end of Gas Line to 90° Tank Adapter Fitting and other to Upper Receiver Gun Valve Gas Line Fitting with Gas Line Nut.

Upper Re

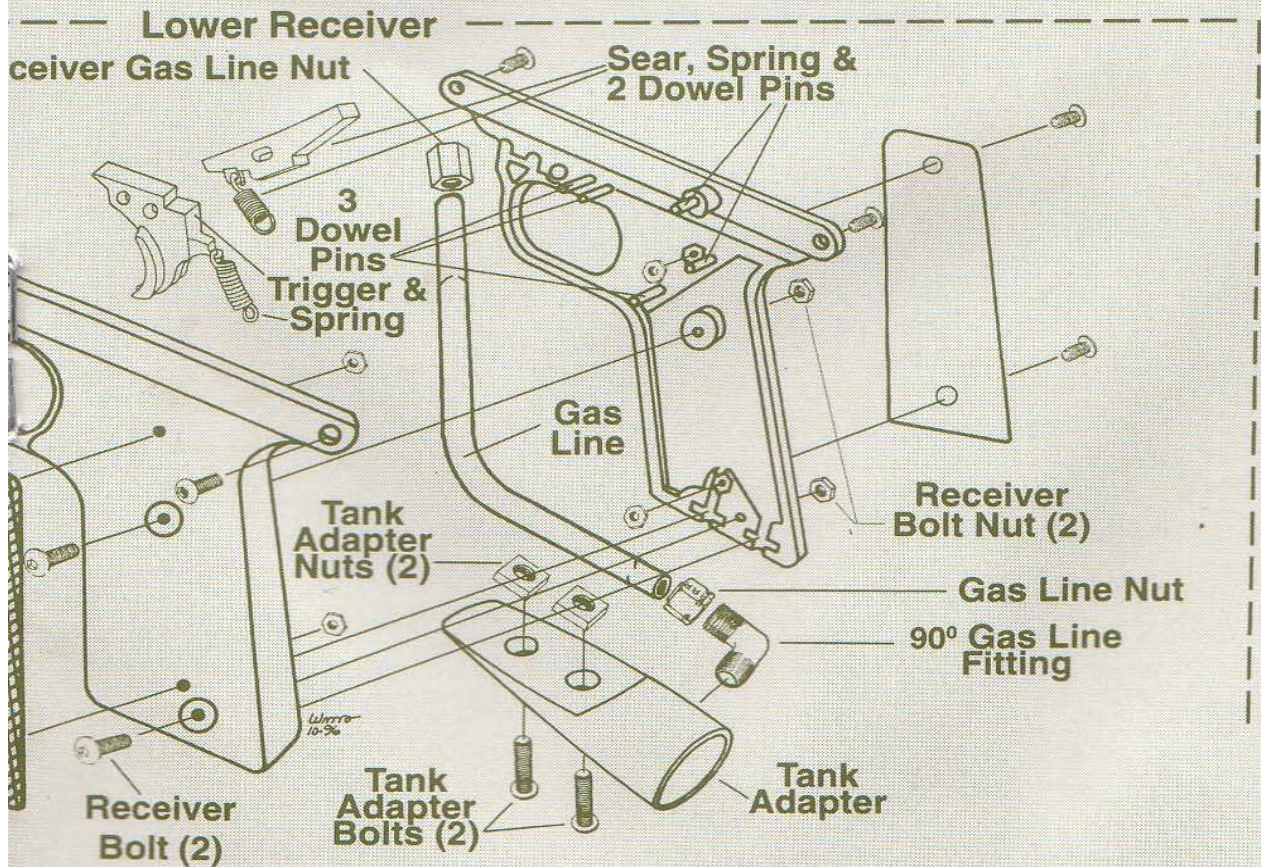
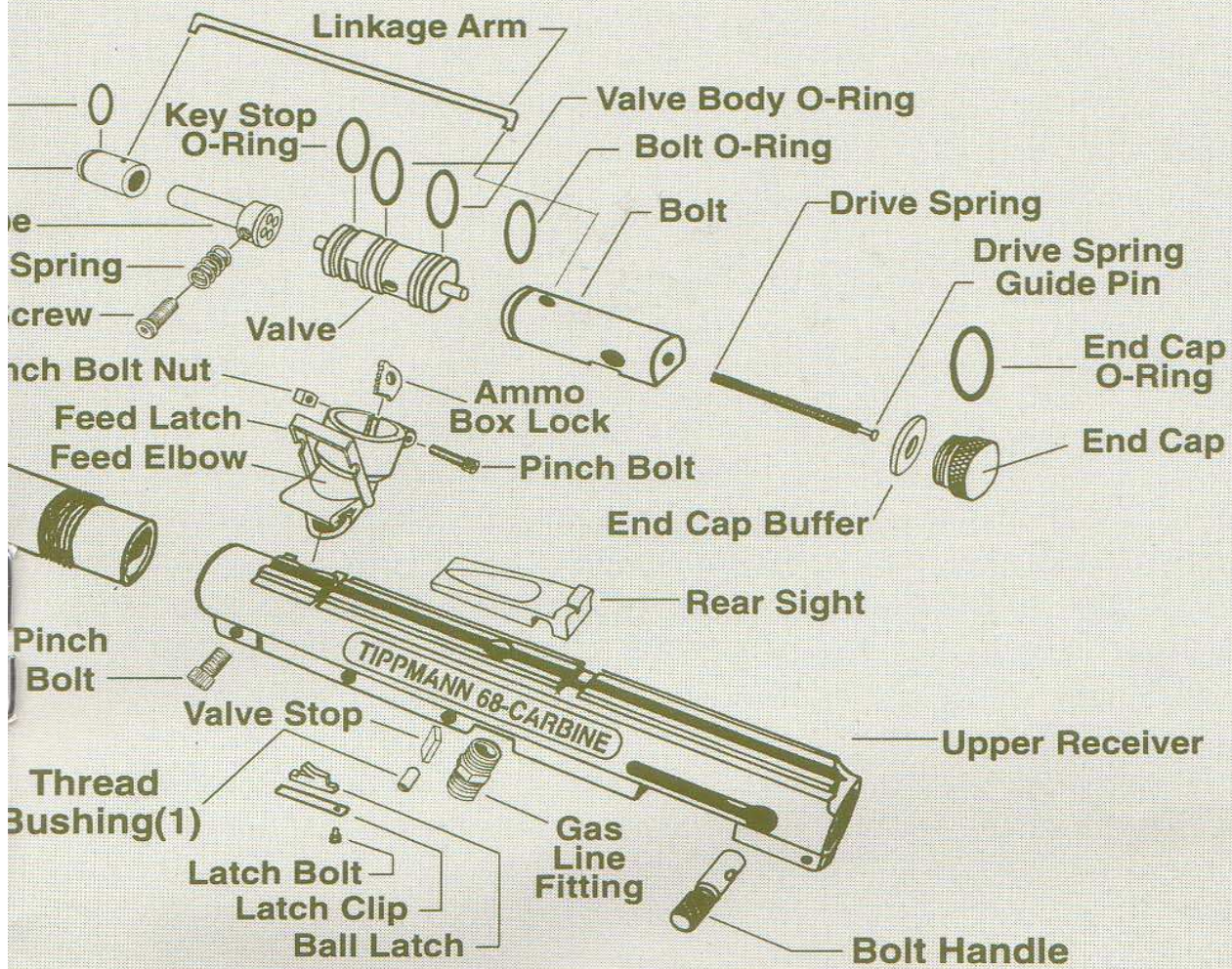
Receiver Connection Bolt (4)

Safety Snap Ring

Safety Safety O-Ring

Grip Bolt (4)

Grip (2)



## 2. Safety

The Bolt Handle acts as one of the safetys. When bolt handle is in the forward "safe" position the gun will not fire. When the bolt handle is pulled back, the gun is cocked, a paintball is loaded and gun is ready to fire when the Trigger Safety is released. *Do not uncock gun after it is loaded because it will double feed another paintball when you cock it again.*

**The Trigger Safety Switch** - is located on the side of the gun just above the trigger. To fire the gun: point the gun forward in a safe direction, pull the bolt handle to the back position, move the trigger safety switch from the right-"SAFE" position to the left-"Fire" position. The gun is now ready to fire.

## 3. Loading / Unloading Ammo

With the Safety Switch "ON" (pushed to the right "SAFE" position) and bolt handle in the forward or "safe" position:

- Load .68 caliber ammo into the ammo box through the top loading hole. Do not try to force excessive numbers of paintballs into the ammo box.
- Unloading: To unload, remove ammo box or open ammo box then turn gun upside down to shake all balls from ammo box and chamber area. Then fire gun in a safe direction to clear any balls that may be in barrel or chamber area.

## 4. Firing

Pull the bolt handle back to firing position. Take gun off safety by pushing side trigger safety button to the left (off) position. Sight in the target and be careful to avoid contact with the bolt handle which will cycle back and forth during the firing cycle, squeeze the trigger. NOTE: Guns with siphon tanks will shoot higher velocity after the first three or four shots.

## 5. Removing CO<sub>2</sub> Cylinder For Storage

Twist the CO<sub>2</sub> cylinder (stock) 3/4 turn counterclockwise. This closes the cylinder valve. Then fire the remaining CO<sub>2</sub> gas in the gun in a safe direction (approximately 3 shots). Now, twist cylinder free from receiver for storing or when not in use. *Caution: If this procedure is not followed you could destroy your tank o-ring, causing CO<sub>2</sub> cylinder to leak when reconnected to the gun.*



## MAINTENANCE

### **1-M. Cleaning Barrel**

If a paintball should break in barrel, flip feeder elbow latch up and remove the feed elbow by sliding it forward. Next, insert the small end of your cleaning cable into the exposed breach area (if there is an unbroken ball in the chamber area it must be removed before inserting the cleaning cable) and push it through the barrel until you can grab it and pull the cleaning cable squeegee through the barrel.

### **2-M. Before Storing**

Before storing gun, remove the CO<sub>2</sub> cylinder. Clean barrel, spray a little light gun oil into the receiver and put bolt handle into the forward position.

### **3-M. After Storage And Before Use**

Before installing the CO<sub>2</sub> cylinder, lubricate the front bolt by putting a few drops of light gun oil into the receiver in front of the rear sight and lubricate the rear bolt by putting a few drops behind the rear sight and in the bolt cocking handle slot. A little lithium grease on the CO<sub>2</sub> cylinder valve o-ring will extend the life of your o-ring. Recommended Oil - gun lubricating oil such as Hoppes 9 Oil or Household 3 in One oil.

### **4-M. Velocity Adjustment**

To adjust velocity use the 3/32" allen wrench enclosed with the gun. Locate the velocity adjustor screw on the power tube and bushing assembly (The underneath side of your upper receiver). Insert the allen wrench into the velocity adjustor screw and turn it clockwise to decrease velocity / counterclockwise to increase velocity. NOTE: Never completely remove the velocity screw.

### **5-M. Valve Removal / Assembly.**

With constant air removed as described in 5. Removing CO<sub>2</sub> Cylinder For Storage remove lower receiver from upper receiver (4 receiver connection bolts and gas line nut). Remove (tap out) thread bushing and remove valve stop. Now unscrew end cap and slide out end cap buffer, drive guide pin /spring (this allows bolt handle removal), bolt and valve out the rear of the upper receiver. Lubricate the 2 rear valve o-rings with white lithium grease and reinsert valve—Be sure to wipe all excess white lithium from inside receiver before reinserting bolt and rest of upper receiver parts.

## INSTRUCTIONS FOR FILLING TIPPMANN PNEUMATICS 9 OZ. CO<sub>2</sub> CYLINDERS

- Cylinders must be completely empty to fill properly: To empty, depress pin valve on top of cylinder firmly against small round object until completely empty.
- Bulk cylinders for filling small CO<sub>2</sub> Cylinders must have a siphon tube. Bulk cylinders with siphon tubes are marked with red paint around top of cylinder.
- To fill cylinder, first weigh the TPI 9 oz. cylinder when it is completely empty then install the filling adaptor on bulk cylinder. Then crack hand valve open until the gas in siphon tube escapes and liquid CO<sub>2</sub> appears in the form of white vapor. Next, install empty 9 oz. cylinder into adaptor (hand tight) against rubber washer inside adaptor; then open bulk cylinder hand valve. After approximately 30 seconds, turn hand valve off and remove 9 oz. cylinder.

NOTE: If 9 oz. cylinder was frosty cold when filled it will now have approximately 9 oz. of CO<sub>2</sub> gas in it. If 9 oz. cylinder was warm, it will have approximately 5 oz. of CO<sub>2</sub> gas in it. To fill to 9 oz., depress pin valve on top of cylinder against small round object until completely empty again. This will frost or chill cylinder for final fill. While cylinder is chilled, repeat filling operations. Second filling should now fill cylinder to approximately 9 oz. of CO<sub>2</sub> gas, but it must be weighed.

- To weigh cylinders, first weigh the cylinder when it is completely empty. Then weigh cylinder again when it is filled. Subtract the empty weight from the filled weight to tell the net weight of CO<sub>2</sub> gas in the cylinder. Do not exceed 9 oz. net weight.

NOTE: If 9 oz. cylinder leaks after filling and removing from bulk cylinder, tap valve pin with small ball peen hammer to clear dry ice from the valve seat.

**WARNING:** Do not overfill 9 oz. cylinders. Do not store full cylinders in a high temperature area. Always use caution when filling and handling high pressure constant air cylinders.

# TIPPMANN

**PNEUMATICS, INC.**

## WARRANTY AND REPAIR POLICY

Tippmann Pneumatics, Inc. is dedicated to providing you with the ultimate paintball gun and the quality support necessary for the utmost satisfaction in its use. In the event warranty or other non-warranty related repairs are required, we are here for you. We strive to complete within 24 hours of receipt, the necessary repair work for your gun and return it to you via UPS. For assistance with warranty and repair call 1-219-749-6022.

## WARRANTY STATEMENT

Tippmann Pneumatics, Inc. warrants that this product is found free from defects in materials and workmanship for a period of 1 year from the original date of purchase by the initial owner/purchaser. On claims submitted as outlined in "WARRANTY OR REPAIR PROCEDURE" Tippmann Pneumatics, Inc. will repair or replace, without charge, any of its guns that have failed through defect in material and workmanship.

## WARRANTY OR REPAIR PROCEDURE

For warranty and non-warranty repair, ship or deliver your gun to Tippmann Pneumatics, Inc. postage or delivery charges prepaid, a brief statement regarding the requested repair, your name, address and telephone number where you can be reached during normal business hours, if possible.

### SHIP TO:

Tippmann Pneumatics, Inc.  
3518 Adams Center Road  
Fort Wayne, IN 46806