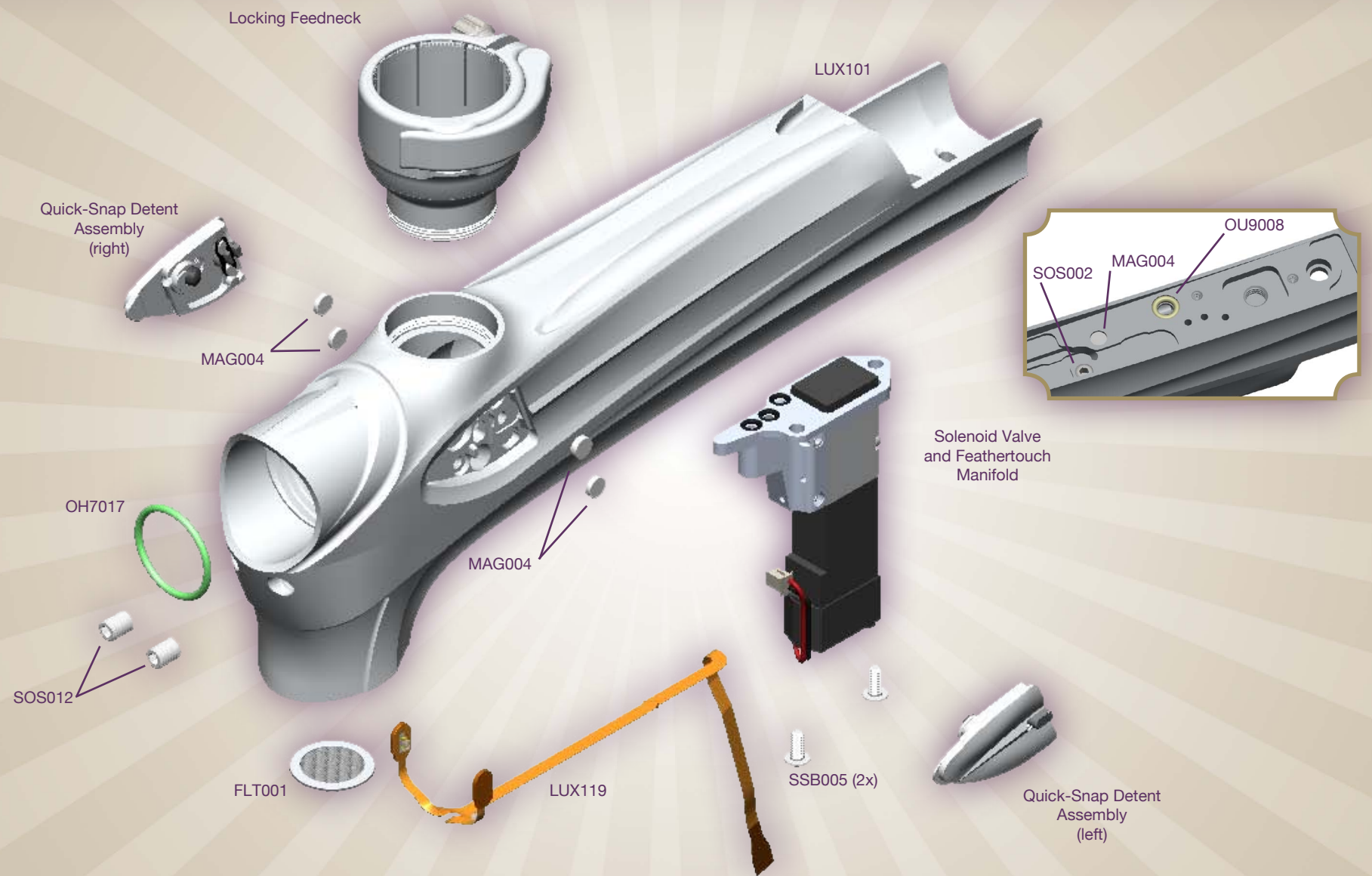




MODEL 2.0 PARTS GUIDE



BODY



Solenoid Valve and Feathertouch Manifold

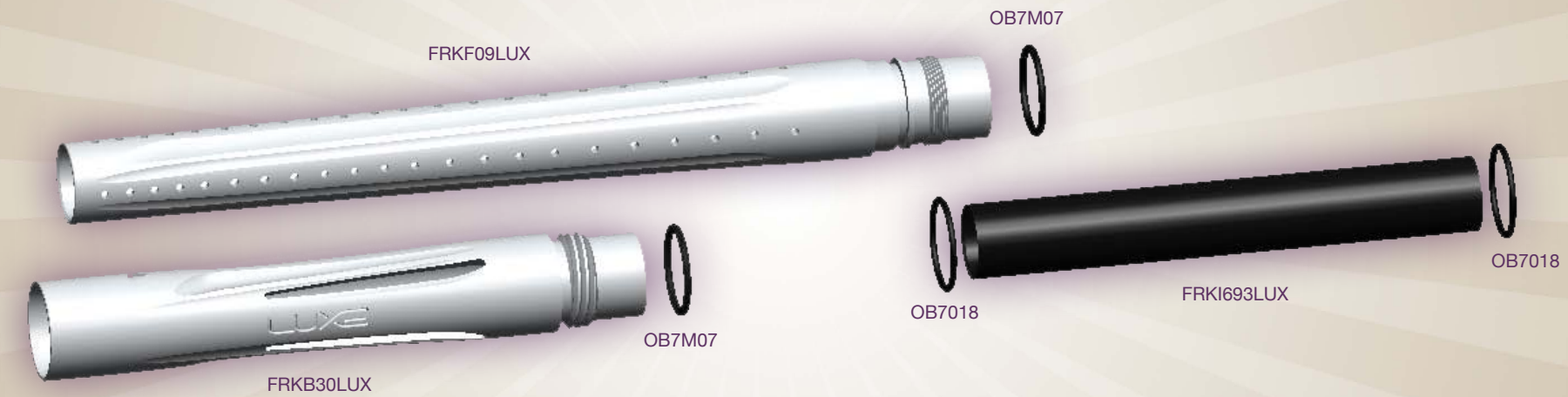
SOLENOID VALVE



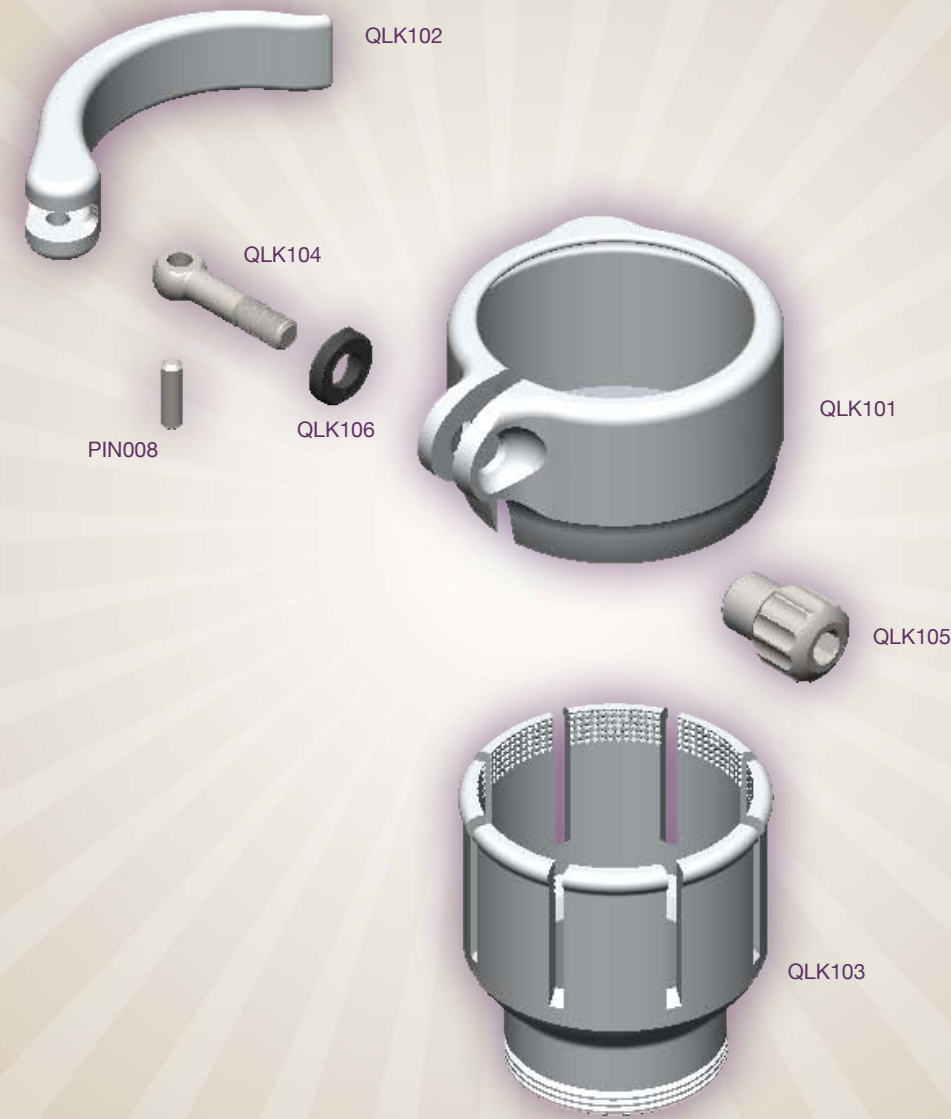
DETENT ASSEMBLY



BARREL



LOCKING FEEDNECK



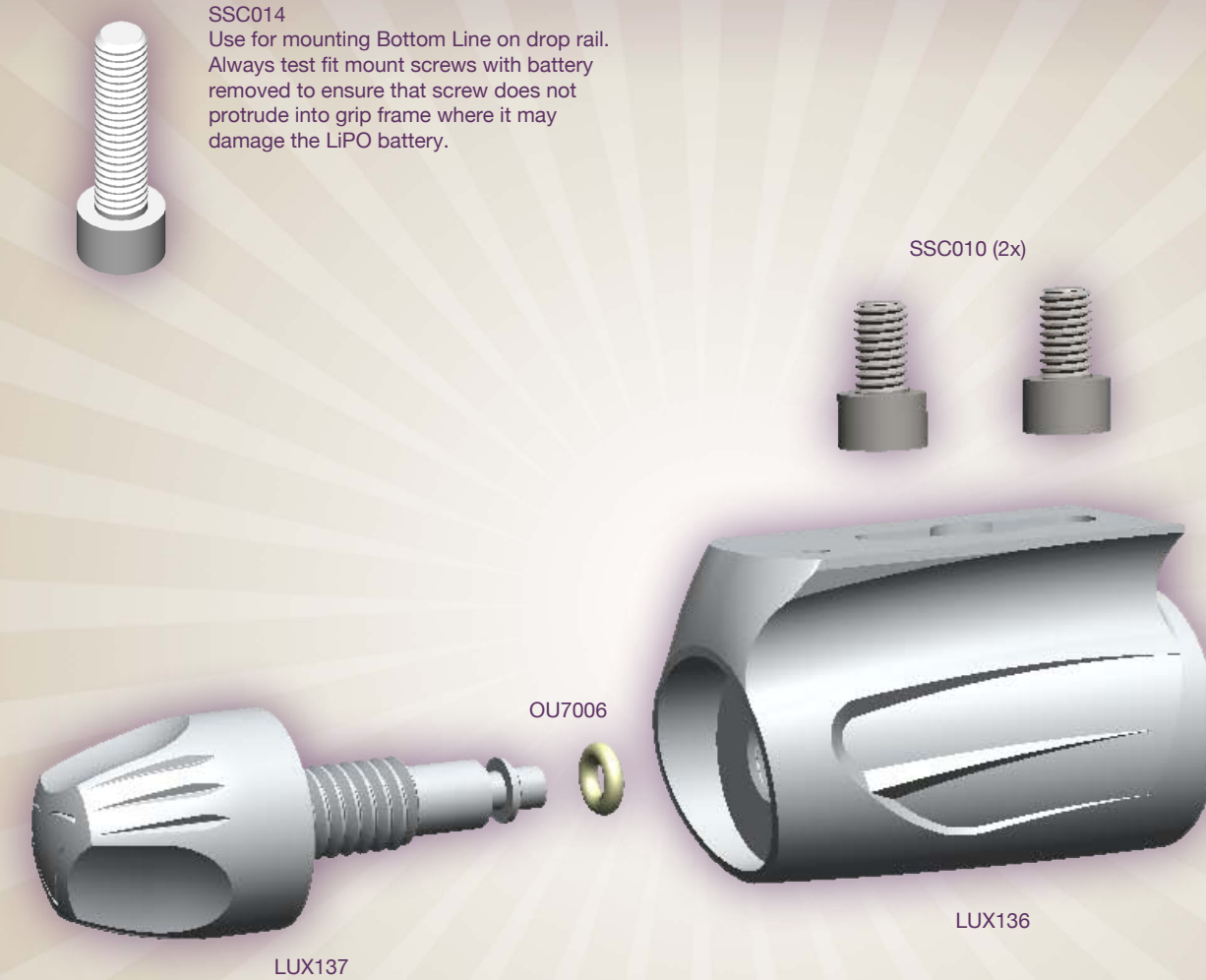
GRIP FRAME



TRIGGER

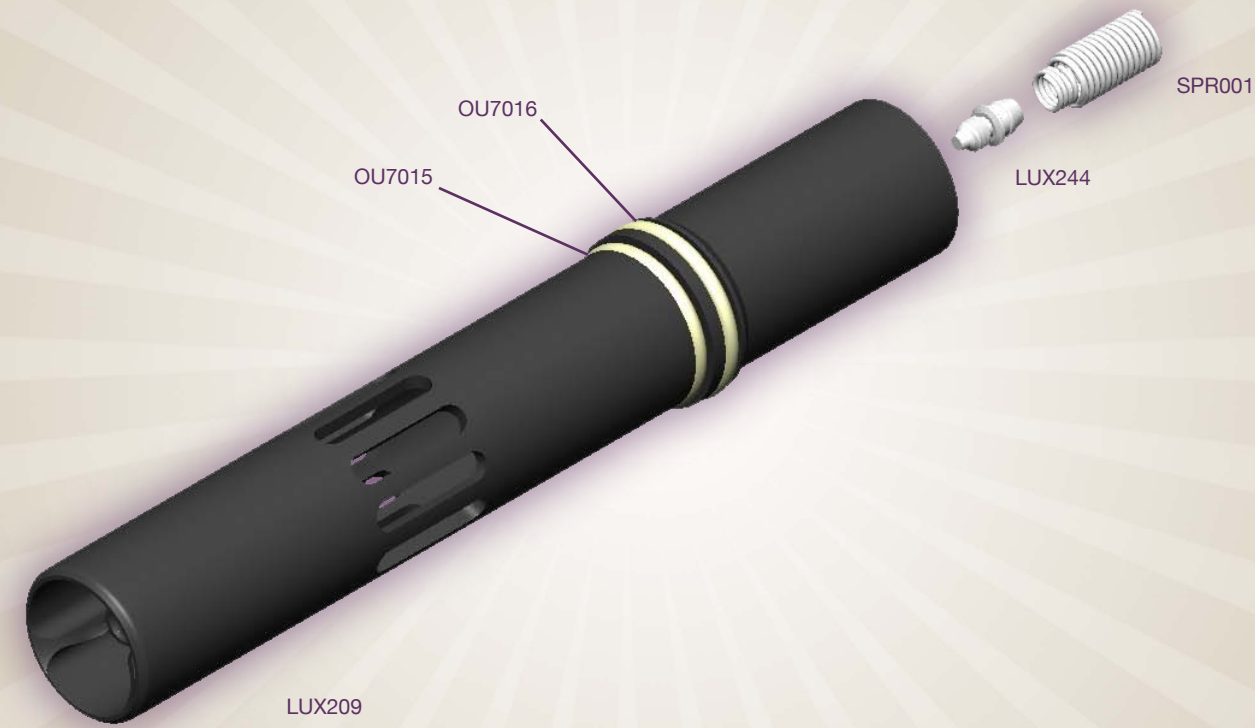


BOTTOM LINE



SSC014
Use for mounting Bottom Line on drop rail.
Always test fit mount screws with battery removed to ensure that screw does not protrude into grip frame where it may damage the LiPO battery.

BOLT



FIRING CHAMBER



BOLT GUIDE



QUICK-STRIP



REGULATOR

