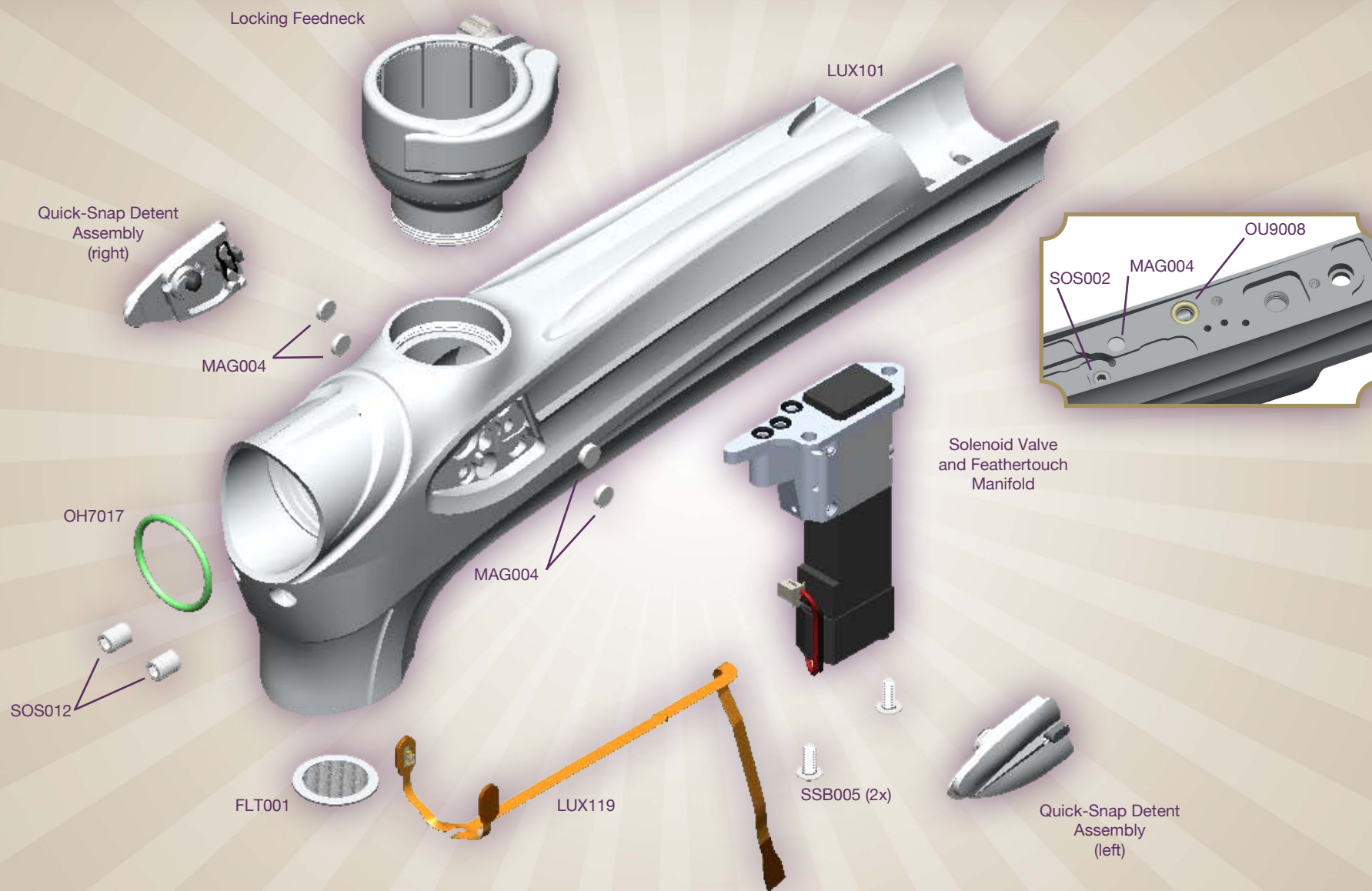


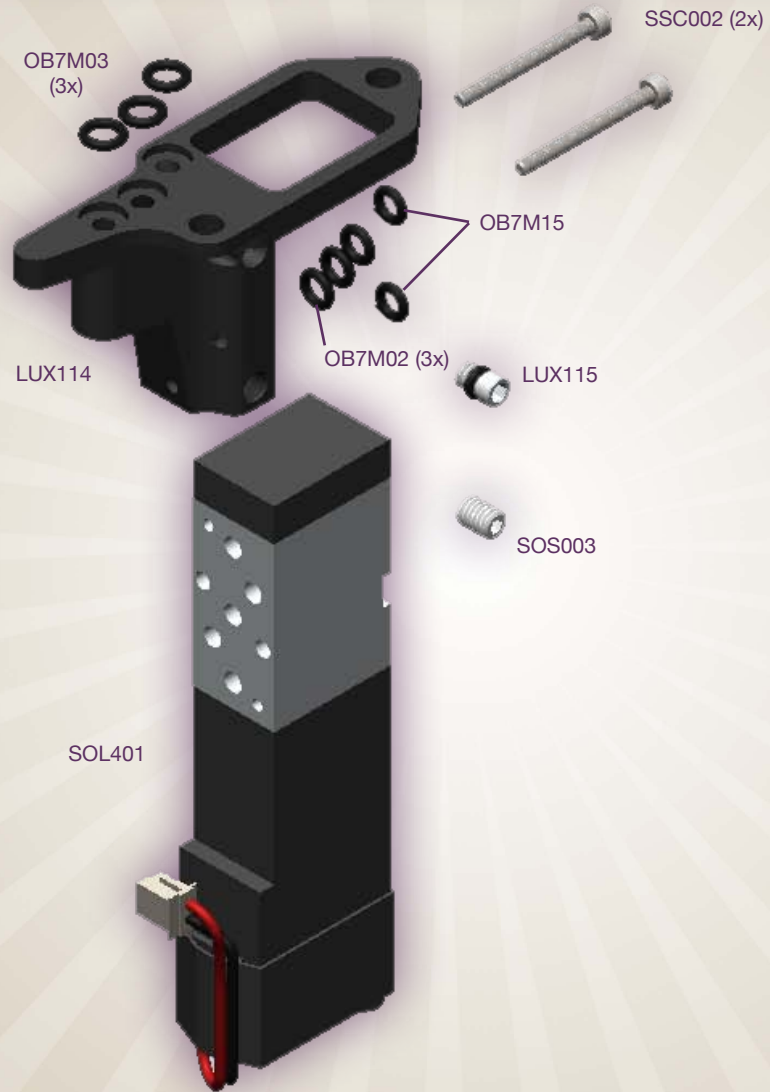
# LUXE

## OLED PARTS GUIDE



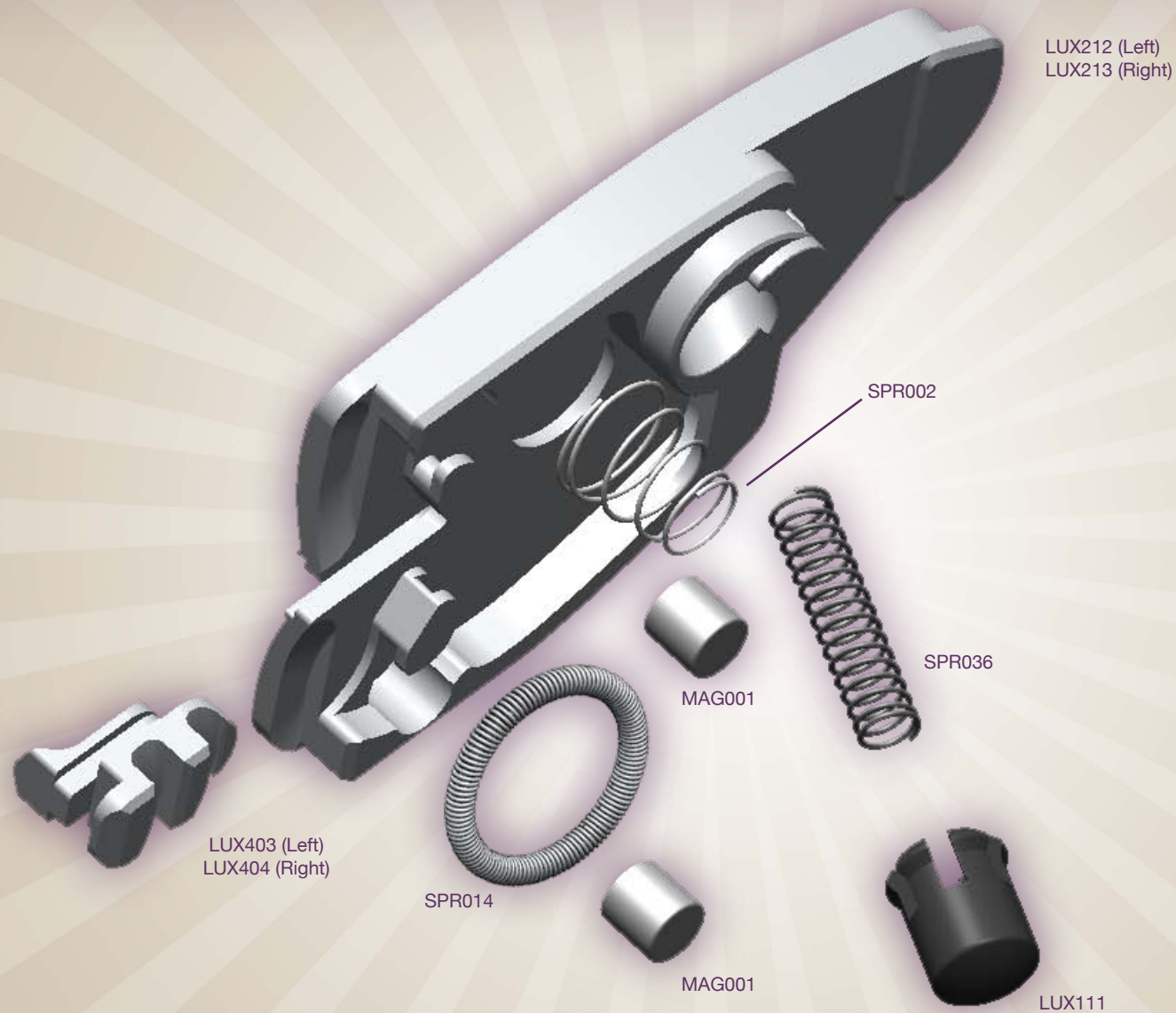


# SOLENOID VALVE





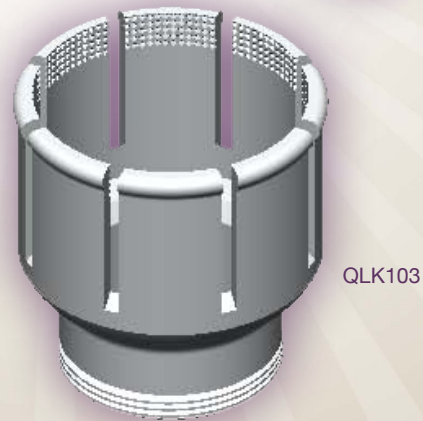
# DETENT ASSEMBLY



# BARREL



# LOCKING FEEDNECK





# GRIP FRAME

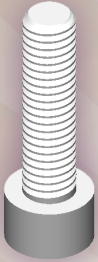


# TRIGGER



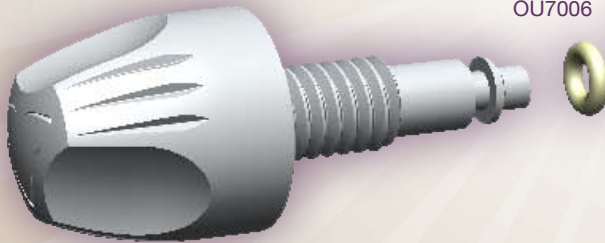
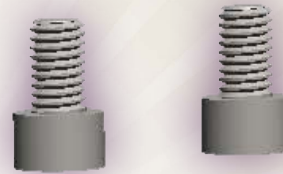


# BOTTOM LINE

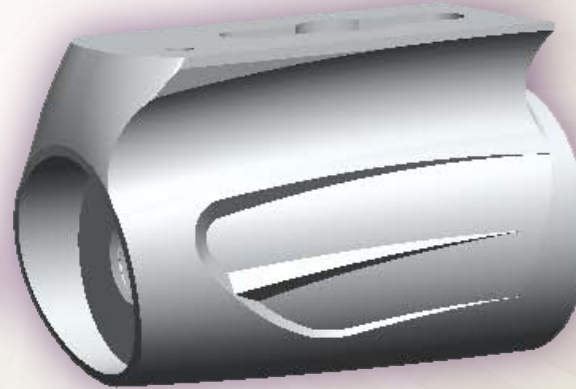


SSC014  
Use for mounting Bottom Line on drop rail.  
Always test fit mount screws with battery removed to ensure that screw does not protrude into grip frame where it may damage the LiPO battery.

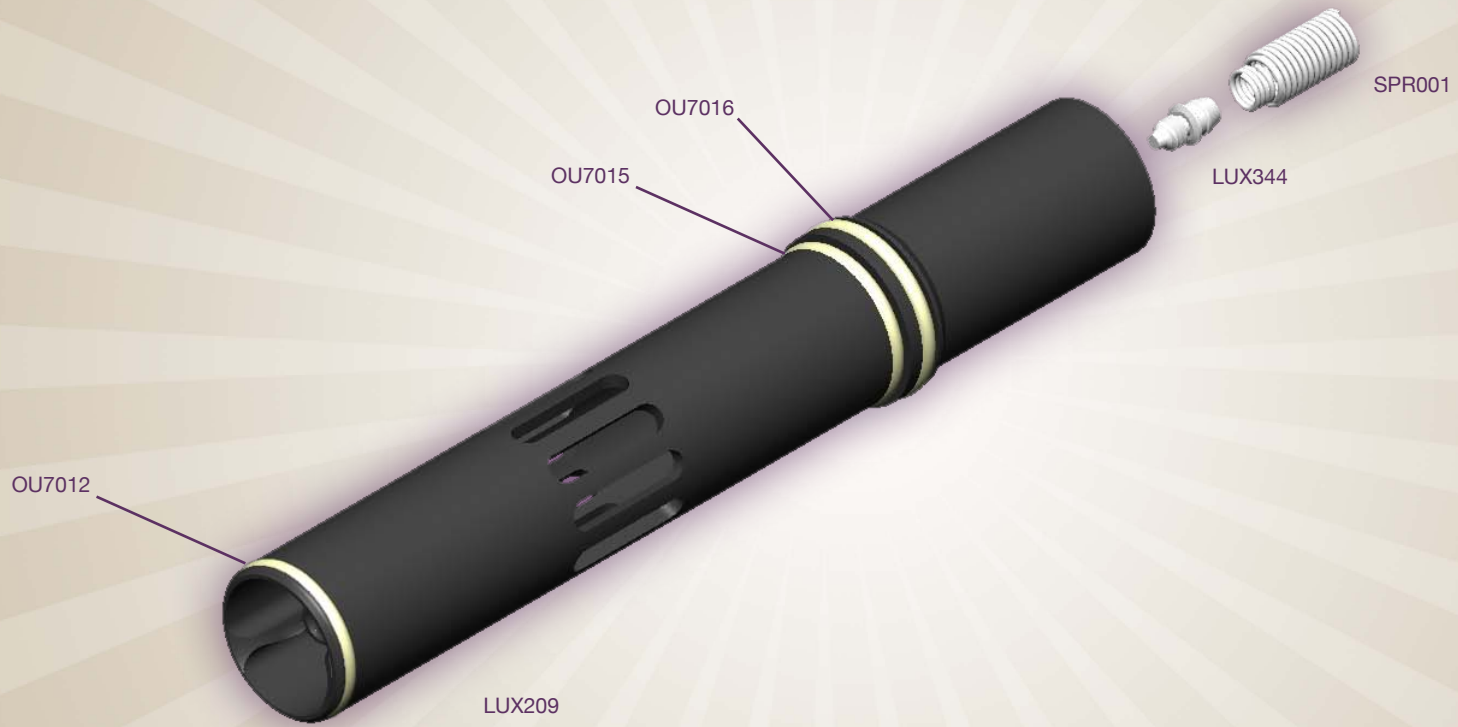
SSC010 (2x)



LUX137



LUX136



# FIRING CHAMBER





# BOLT GUIDE



# QUICK-STRIP



# REGULATOR

