



PAINT TAG GUN



**MUST WEAR
FACE AND EYE
PROTECTION**

**YOU MUST BE 18 YEARS
OR OLDER TO PURCHASE
THIS PRODUCT**

**TRANSFER THIS HANDBOOK
UPON CHANGE OF MARKER OWNERSHIP**

CO₂ MARKER

CAUTION: NOT A TOY. ADULT SUPERVISION
REQUIRED. MISUSE OR CARELESS USE MAY CAUSE
SERIOUS INJURY (ESPECIALLY TO EYES) OR DEATH.
MAY BE DANGEROUS UP TO 250 YARDS (229 METERS).

"IMPORTANT"

Firing velocity may vary according to altitude and climate conditions.

BEFORE using your paint pistol in play, you must always first perform a "SAFE VELOCITY TEST". This can only be accomplished by using a testing device called a "Velocity Chronograph" and can be performed by the dealership where you purchased this product or at a local paintball playing field.

NOTE: This product is intended to be used at a velocity no greater than 320 feet per second (FPS). Recommended velocity is 300 FPS or less.

This product is NOT intended to be used at any distance less than 25 feet.

Lower velocities may be attained by substituting a lighter hammer spring, (Item #34), available through your dealer or distributor.

WARNING: When removing pistol from storage, or when handing to, or receiving from another person, always check to be sure the pistol is not loaded.

OPERATING INSTRUCTIONS

1. CO₂ CHARGING

Your paint pistol has been equipped with an air adapter for bulk CO₂. Screw CO₂ tank or accessory into rear adapter of paint pistol as shown.

(See Figure 1)

Use only 12 gram type CO₂ cartridges which are flat on the small end. Any other cartridge form or shape, such as those having threads on one end, will not function and should not be used.

CO₂ guns should not be used in temperatures below 40° Fahrenheit as performance decreases significantly below this level. CO₂ cartridges may explode at temperatures above 160° F.

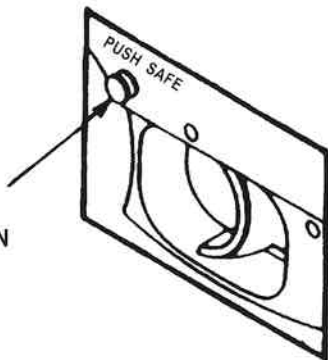


FIG. 1

2. SAFETY

To put safety on, press "SAFE" button on left side of frame so that red ring is not exposed. Always keep safety in "SAFE" position until ready to shoot.

NOTE RED
RING ON
"FIRE" POSITION
LEFT SIDE



NOTE BUTTON
IS FLUSH ON
"FIRE"
POSITION
RIGHT SIDE

Press 1" elbow firmly into marking pistol to assure a snug fit. (See Figure 3). NOTE: Loader should be left on pistol until empty.



FIG. 3



FIG. 4

Hold marking pistol as shown in Figure 4. Pull foregrip backward then forward quickly (once only). **WARNING: MARKING PISTOL IS NOW READY FIRE.**

4. FIRING

Put safety in "FIRE" position, so red ring on safety button is exposed. Sight in target, aim and pull trigger. **CAUTION!** Never point your paint pistol, charged or uncharged, loaded or unloaded, with safety on or off, at or near anything you do not intend to mark.

MAINTENANCE

1. GENERAL CARE

Your ACI marker is made of corrosion resistant materials which require no special treatment with the exception of occasional disassembly and cleaning. NOTE: BE SURE MARKING PISTOL IS NOT LOADED OR CHARGED WITH CO₂. This may be done by unscrewing barrel counter-clockwise and removing the two sets of knurled service screws as shown in Figures 5 and 6. NOTE: DO NOT USE TOOLS, THEY ARE NOT NECESSARY. After barrel and field strip screws have been removed, marking pistol can

can then be "broken down" to its primary components for cleaning as shown in Figure 7. DO NOT USE TOOLS OR ATTEMPT TO DISASSEMBLE MARKING PISTOL BEYOND THIS POINT. Refer all further service or repairs to qualified factory personnel only.

Before reassembling, lightly treat internal components with airlube. Reassemble your marking pistol following Figure 7. DO NOT USE TOOLS. Both sets of field strip screws should be finger tight only. DO NOT FORCE.



FIG. 5



FIG. 6

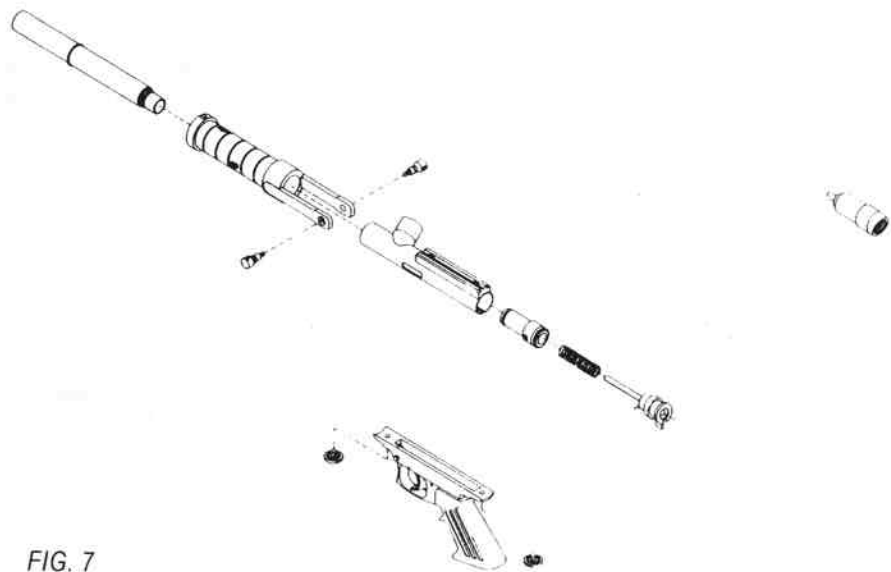


FIG. 7

2. STORAGE

Although your ACI marking pistol will hold its CO₂ charge indefinitely, for maximum safety it should always be stored uncharged, uncocked and unloaded. Store in a clean, cool, dry place and well out of the reach of children.

3. SERVICE

Your ACI marking pistol should be inspected periodically for any changes in functioning characteristics. If your pistol is ever dropped or otherwise subjected to severe impact, it should be carefully inspected to ensure that its proper functioning has not been affected.

Any repairs should be performed only by qualified factory personnel. If your ACI CO marking pistol is in need of service, be sure marking pistol is unloaded and CO cartridge is not present. Package it carefully and insure for full value. Enclose a note describing desired service and send to Service Department

desired service and send to Service Department.

An estimate of repair costs will be furnished on request. **NOTE:** ACI markers do not come under the provisions of the 1968 Gun Control Act and can be shipped via UPS.

4. RELEASING CO₂ CHARGE

When the charge in the CO₂ cartridge is almost exhausted, velocity and power will decrease noticeably. When this happens stop loading and shooting immediately. Completely release the remaining CO₂ by slowly unscrewing the CO₂ tank, (not all the way), allowing the gas to escape around cartridge. Hold gun upright and allow CO tank to fall out of marking pistol. Recharge with new tank as described previously in "loading".

RECOMMENDED AMMUNITION

Use only water soluble .68 caliber marking pellets available from most dealers and distributors. For more information contact Air Concepts Industries.

For best accuracy always keep inside of barrel clean and dry. Use squeegee or swab for best results.

WARNING: Any attempted modification or service or other tampering by the owner or any other person may cause the pistol to malfunction and may render it unsafe. Any repairs should be made only by qualified factory personnel. For information on use and service, please write Air Concepts Ind. 11080 Rose Avenue, Fontana, California 92337 USA

STATEMENT OF LIABILITY:

This pistol is delivered by us with the express understanding that we assume no liability for its resale or safe-handling. It can be considered as a dangerous weapon if mishandled, abused, instructions are ignored, or factory adjustments tampered with. Air Concepts Industries assumes no responsibility for physical injury or property damage resulting from its use.

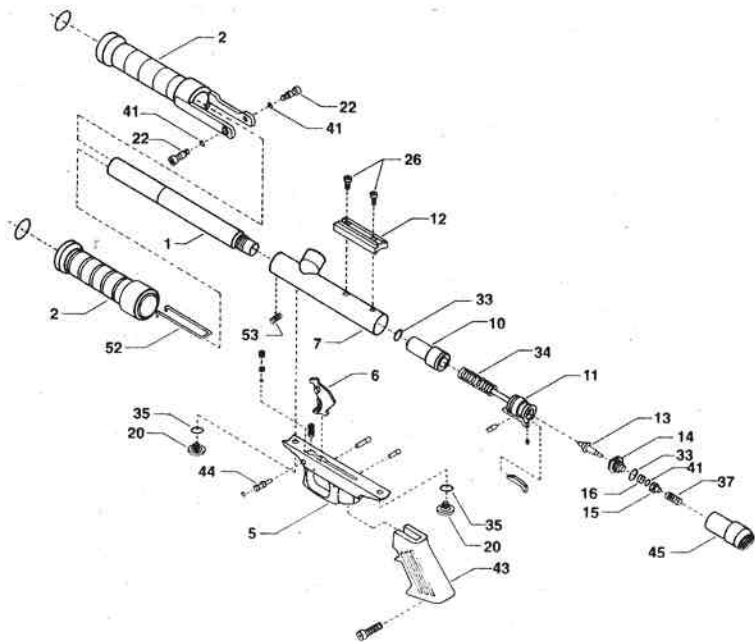
We will honor no claims for damage to the pistol resulting from careless handling, unauthorized adjustments, modifications, alterations, improper installation of after market accessories, ignoring of instructions, improper ammunition, neglect, or resulting from any part or parts being altered or tampered with.

Replacement Parts and Kits

Item	Description	Part No.	Item	Description	Part No.
2	Maverick™/Tracer™ Pump Handle	13004-2		BARRELS	
2	Hornet™/Tagmaster™ Pump Handle	13004-2	1	Maverick™/Tracer™ 12"	13004-1
6 1/2	Trigger w/Latch Insert	13004-6L-2	1	Hornet™/Tagmaster™ 12"	13004-1
7	Receiver - Hornet™/Tagmaster™	13004-789		BOLTS	
7	Receiver - Maverick™/Tracer™	13003-789			
10B	Inner Sleeve O-Ring	13004-10-103	10	Maverick™/Tracer™	13004-10
11	Tru-Flow Hammer/Sear Assembly	13004-11-1-TF	10	Hornet™/Tagmaster™	13004-10
12	Sight Rail	13004-12		O-RINGS	
13	Tru-Flow Valve Tube	13004-13			
14	Valve Seat	13004-14	33	Bolt / Valve Seat O-Ring	13004-33
15	Backing Nut	13004-15	35	Frame Screw O-Ring	13004-35
16	Impulse Seal	13004-16	41	Pump / Backing Nut O-Ring	13004-41
43	Euro Grip w/Screw	13004-6-999		SCREWS	
44	Safety Button	13004-23			
45	ASA Adapter	13003	20	Front Slotted Frame w/ O-Ring	13004-20FS
52	BoR Link	13004-52	20	Rear Slotted Frame w/ O-Ring	13004-20RL
	Hammer Assembly for		22	Slotted Pump Screw	13004-22
	Hornet™/Maverick™	13004-11-1	26	Sight Rail Screw	13004-26
	Valve Tube Assembly	13004-13-999		SPRINGS	
	Trigger Housing Assy. (No Grip)	13004-5-999			
			37	Valve Tube Spring	13004-37
			53	Ball Retaining Spring	13004-57
			34	Low Velocity Spring	13004-34L
			34	High Velocity Spring	13004-34H

** Maverick™ and Tracer™ parts are interchangeable
Hornet™ and Tagmaster™ parts are interchangeable*

Tracer and Tagmaster are registered trademarks of Pursuit Marketing, Inc.



LIMITED WARRANTY

Air Concepts Ind. warrants to the original consumer purchaser that this product is free from defects in material and workmanship under normal use and service for a period of one (1) year from date of purchase. A.C.I. agrees to repair or replace (at its option) any product within a reasonable period of time provided that it is returned with postage prepaid to A.C.I.

If the product is defective, package it carefully and send, together with your name and address and a brief description of the malfunction, to:

AIR CONCEPTS INDUSTRIES

701 S. Auto Center Dr. • Ontario, CA 91761 U.S.A.

This warranty shall not apply if it is shown by A.C.I. that the defect or malfunction was caused by damage which occurred while the product was in the possession of a consumer.

A.C.I.'s sole responsibility shall be to repair or replace the product within the terms stated above.

THE IMPLIED WARRANTIES OF MERCHANTABILITY AND FITNESS FOR A PARTICULAR PURPOSE ARE LIMITED TO A PERIOD OF NINETY (90) DAYS FROM PURCHASE DATE. A.C.I. SHALL NOT BE LIABLE FOR ANY LOSS OR DAMAGE OF ANY KIND, INCLUDING ANY INCIDENTAL OR CONSEQUENTIAL DAMAGES RESULTING, DIRECTLY OR INDIRECTLY, FROM ANY BREACH OF ANY WARRANTY, EXPRESS OR IMPLIED, OR ANY OTHER FAILURE OF THIS PRODUCT. Some states do not allow limitations on how long an implied warranty lasts so the above limitation may not apply to you. Some state do not allow the exclusion of consequential damages, so this limitation may not apply to you. This warranty gives you specific legal rights, and you may have other rights which vary from state to state.

FOR YOUR RECORDS:

NAME OF PRODUCT _____

SERIAL NO. _____

DATE OF PURCHASE _____

PLACE OF PURCHASE _____

Mail this card within ten (10) days of purchase to validate warranty.

Product Name _____

Serial No. _____

Purchase Price _____ **Date Purchased** _____

Purchased from: Store Name _____

City _____ **State** _____

Purchased by: Your Name _____

Street Address _____

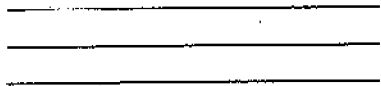
City _____ **State** _____

By signing below, I verify that:

1. I am 18 years of age or older.
2. I have read the User Manual for my marker, and I understand the safety cautions and warnings it contains.

(Contact your dealer, or us at the address on the other side of this card, if you need a replacement manual.)

Signature _____ **Date** _____



**PLACE
STAMP
HERE**

**AIR CONCEPTS INDUSTRIES
701 S. Auto Center Dr.
Ontario, CA 91761 U.S.A.**